



V7 | March 2021

DECORATIVE CORNICE **INSTALLATION GUIDE**



CONTENTS

Page 2	Pre-installation information	GENERAL
Page 3	Product identification - standard product	
Page 4	Cornice Installation - ALL	
Page 5	Additional Details	
Page 6	Curved Cornice installation - top section Curved Cornice installation - corner sections	CURVED
Page 7	Curved inline installation - jointer sections	
Page 7-8	Curved cornice installation - additional details	
Page 8	Curved cornice installation - inline outlet cover	
Page 9	1 tier cornice installation - corner sections 1 tier cornice installation - inline jointer sections	1 TIER
Page 10	1 tier cornice installation - additional details	
Page 11	1 tier cornice installation - inline outlet cover	
Page 12	2 tier cornice installation - top section	2 TIER
Page 12-13	2 tier cornice installation - corner sections	
Page 13	2 tier cornice installation - inline jointer sections	
Page 14	2 tier cornice installation - additional details	
Page 15	2 tier cornice installation - inline outlet cover	
Page 16	3 tier cornice installation - top section	3 TIER
Page 16-17	3 tier cornice installation - corner sections	
Page 17	3 tier cornice installation - inline jointer sections	
Page 18	3 tier cornice installation - additional details	
Page 19	3 tier cornice installation - inline outlet cover	

PRE INSTALLATION INFORMATION

FILM - Peel back the protective film at each of the mitred corners, prior to fitting. Ensure all film is removed following installation. Failure to do so will damage the finish over time.

SEALING - After installation, do not seal around the down pipe hole (step 1). The gap will allow water to escape from Cornice in the event of extreme weather conditions.

LADDERS - Take care when using ladders as they could damage the Cornice gutter.

[PLEASE PASS THIS INFORMATION ON TO THE HOMEOWNER](#)

FITTERS TIPS

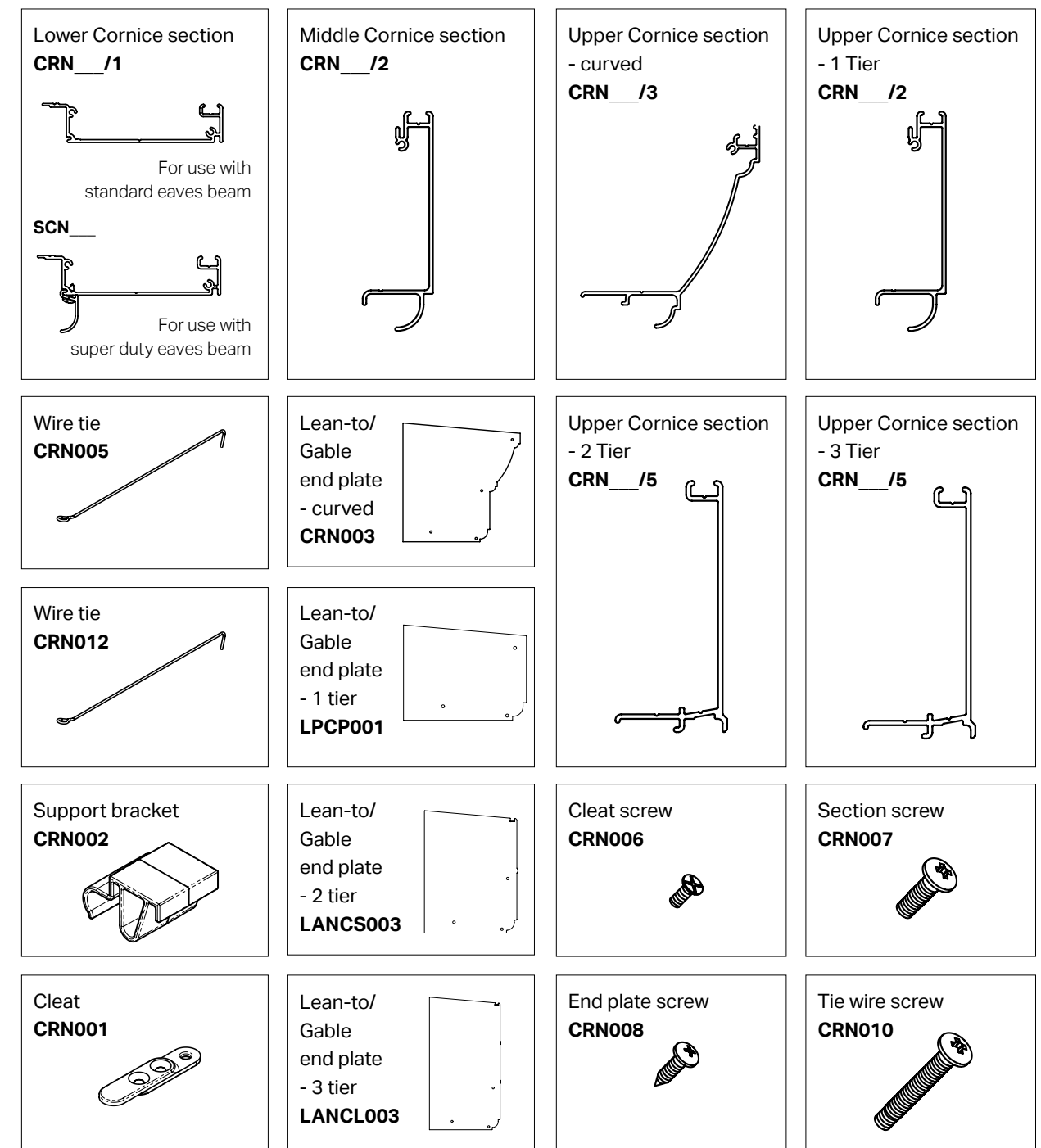
1. Start the installation of Cornice when the basic roof structure is in place (bars and ridge) but before the glazing and guttering have been installed.
2. Prior to installation please ensure the eaves beam joints are tight. Any gaps could translate through to the Cornice mitres.
3. Try temporarily fixing the lower Cornice sections, position appropriately to obtain the best mitre fit. Remember the lower Cornice section is the datum!
4. Do not force the cleats during assembly. Cleats are used to position the mitre joints only!

Always consult Ultraframe if there is something you are uncertain about, please call Ultraframe's technical helpline on 01200 452 918 or email techsupport@ultraframe.co.uk

PRODUCT IDENTIFICATION - STANDARD PRODUCT

RECOMMENDED TOOLS - Long reach magnetic bit, 73mm hole saw.

ADDITIONAL MATERIALS - Timber baton (treated) 49mm x 20mm and cut to length as required - only used when a gutter return and the host wall is required.



This item is powder coated both sides to avoid 'handing' issues

Fixings (supplied in labelled packs)

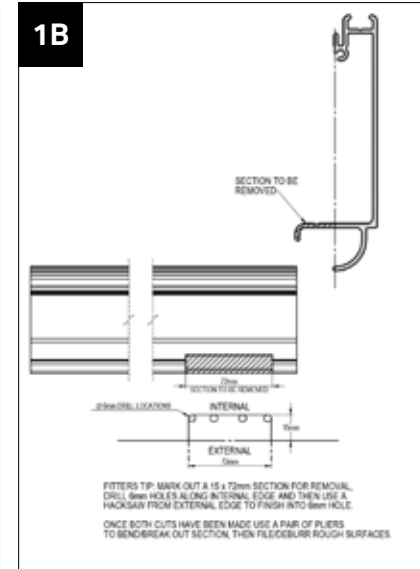
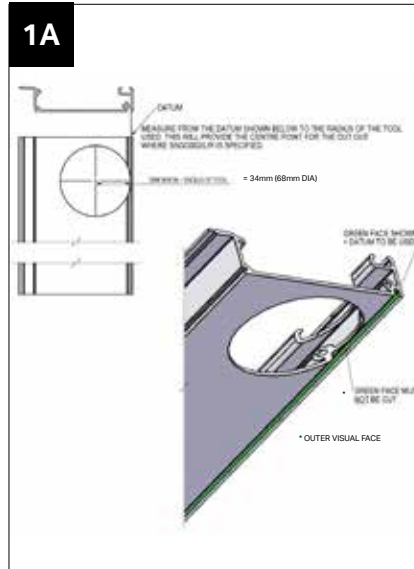
Always consult Ultraframe if there is something you are uncertain about, please call the technical helpline on 01200 452 918 or email techsupport@ultraframe.co.uk

FOR ALL CORNICE INSTALLATION

Ensure the eaves beam, glazing bars, ridge/wallplate are already installed



1 Decide the position of the gutter outlet. Using a 68mm dia hole saw, cut the hole for the down pipe in the lower section.



SEE PAGE 19 FOR CLOSE UP DETAILS.



2 Remove the under gutter trim and dispose of it. Prior to fitting gutter offer up the lower Cornice section then secure into position using the fixings provided (CRN007). **Please note: Always start with the front facet!**

FOR ADDITIONAL STEPS WHEN USING LOGGIA COLUMNS SEE PAGE 5



3 Fit the cleats (CRN001) to the desired side using the fixings provided (CRN006) as shown and assemble the remaining lower sections



4 Secure each corner using the cleats (CRN001) and fixings provided (CRN006).

The gutter and glazing should now be fitted (see main guide). Check integrity of all gutter joints before proceeding further.



5 Offer up the middle Cornice section into position, (it may be advisable to temporarily support the lower Cornice section whilst fixing) secure using fixings provided (CRN007). (Long reach driver required).

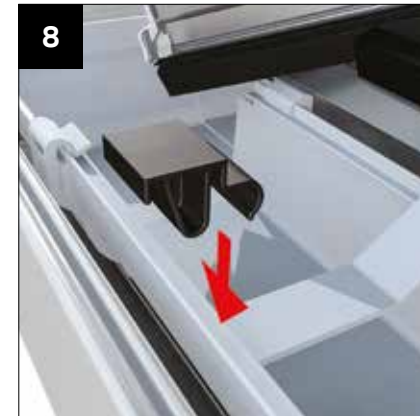


6 Fit cleats as shown in step 3. Offer up the next middle Cornice section. Continue to support lower section as shown in step 5.



7 As shown in step 5 it may be advisable to temporarily support the Cornice whilst fixing. Secure corners using the cleats (CRN001) and fixings provided (CRN006).

FOR ALL CORNICE INSTALLATION

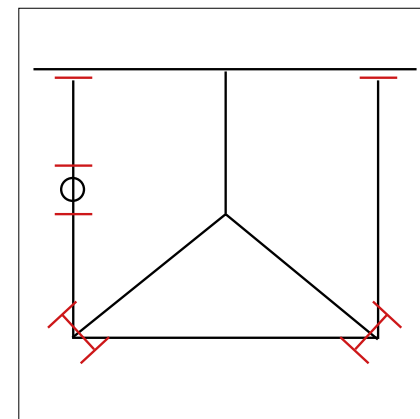


8 Clip fit the support brackets (CRN002), adjacent to every gutter bracket.

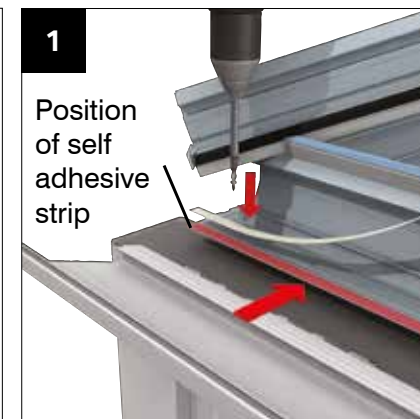


ADDITIONAL STEPS - WHEN CORNICE IS USED WITH LOGGIA COLUMNS

Ensure the eaves beam, glazing bars, ridge/wallplate are already installed



'H' or '-' shows position of DAMS.



1 Remove under gutter trim, attach self adhesive strip to 'toe' of eaves beam.



2 Silicone seal front and back edge of lower Cornice sections (be generous). Similarly butter 'DAM' sealer - position within 50mm of any stop end or outlet.



3 Take 'rubberized' sealer strips and generously butter with silicone.



4 At 90° corner insert 'H' section and press down. Similarly apply at stop end or outlet positions.

1 tier Cornice
GO TO PAGE 9

For 2 tier Cornice
GO TO PAGE 12

For 3 tier Cornice
GO TO PAGE 16

For curved Cornice
GO TO PAGE 6

CURVED CORNICE INSTALLATION - TOP SECTION

Ensure the eaves beam, glazing bars, ridge/wallplate are already installed



1
Temporarily support and fit the upper Cornice section, using the fixings provided (CRN007).

2
Secure the corners using the cleat (CRN001) and fixings (CRN006).

3
Secure the upper Cornice section using the wire ties at each glazing bar. Hook the wire tie into the pre-drilled hole in the upper Cornice section and screw fix into the glazing bar, ensuring the upper section remains parallel to the frames/roof line.

CURVED CORNICE INSTALLATION - CORNER SECTIONS



Please note that it is not compulsory to fit the corners. If a crisp sharp mitre is required the corners need not be fitted, provided due care has been taken during installation. If on the other hand the 'look' of the cast corner is preferred follow the instructions above for each relevant corner. Corners will be supplied for the 135° & 90° external corners.



1
Prior to fitting the corner insert the special longer wire tie CRN012, into the corner as indicated

2
Whilst ensuring that the corner remains located in position, screw fix using self drilling screws CRN007

3
Finally secure the corner by screw fixing the wire tie to the glazing bar using self drilling screw CRN010

CURVED INLINE INSTALLATION - JOINTER SECTIONS



Please note that it is not compulsory to fit the jointers provided. If due care has been taken with the installation of the Cornice. If on the other hand the 'look' of the cast jointer is preferred follow the instructions above for each relevant jointer. Some companies MAY have ordered a 'dummy' joint at 'mid-run', if so just follow steps 2 + 3. The die cast straight jointer can also be configured on site to be used at host wall position.



1
Attach the cleat CRN001 using 2 x CRN006 for each of the Cornice 'layers'.

2
Offer up the CRN180 straight jointer, hook over the front lip of the Cornice

3
Whilst ensuring that the inline bracket remains located in position, screw fix using self drilling screws CRN007

CURVED CORNICE INSTALLATION - ADDITIONAL DETAILS

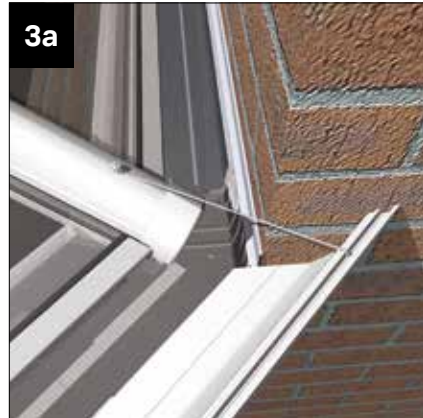


1a
GUTTER RETURN DETAIL - If the gutter returns along the host wall (shown above) complete steps 1A and 1B after step 4 of the general installation. Ensure the treated timber baton (49mm x 20mm) is level, then fix into position.

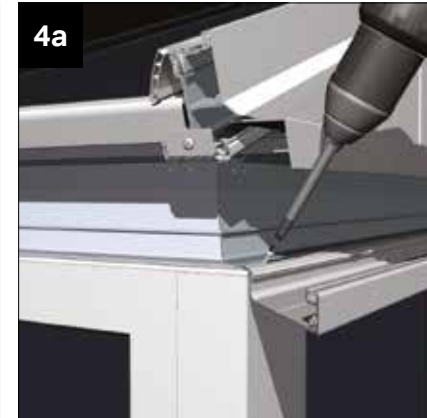
1b
Secure lower section using fixings provided (CRN007)

2
GUTTER STOP END DETAIL - Used with lean-to roofs, gable roofs or when then gutter returns along the host wall. Secure the end plate into position using the fixings provided (CRN008).

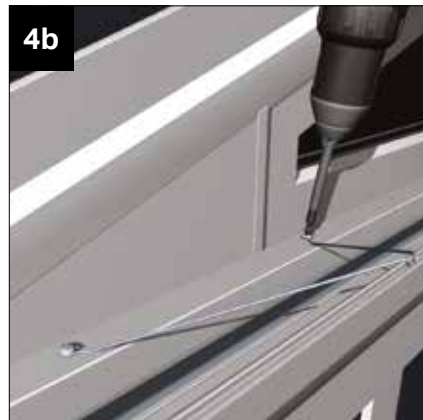
CORNICE INSTALLATION - ADDITIONAL DETAILS



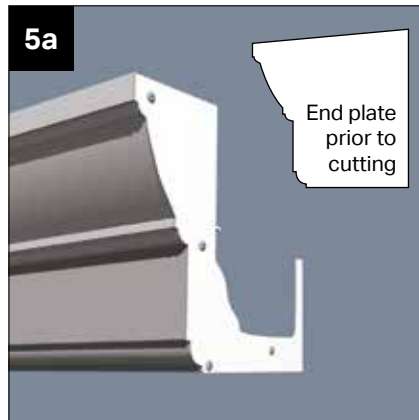
3a
CORNICE & VICTORIAN BOXGUTTER DETAIL - For situations other than that shown, Cornice should be prepped by you on site to suit the wall condition you find.



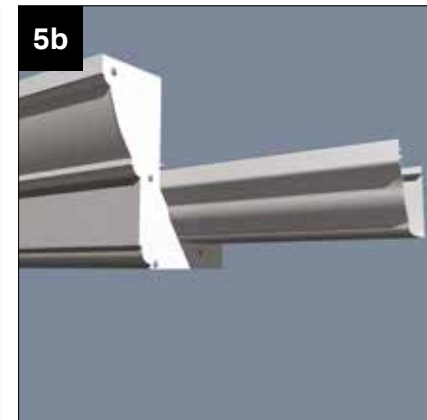
4a
CORNICE & GABLE EAVES BEAM DETAIL - Used on lean-to styles with raked frames or duo-pitch gables that use the gable support beam. Fix lower section as shown - continue with the remainder



4b
Fix wire ties at an angle as shown, ensure the Cornice is parallel to the frames/roof line.



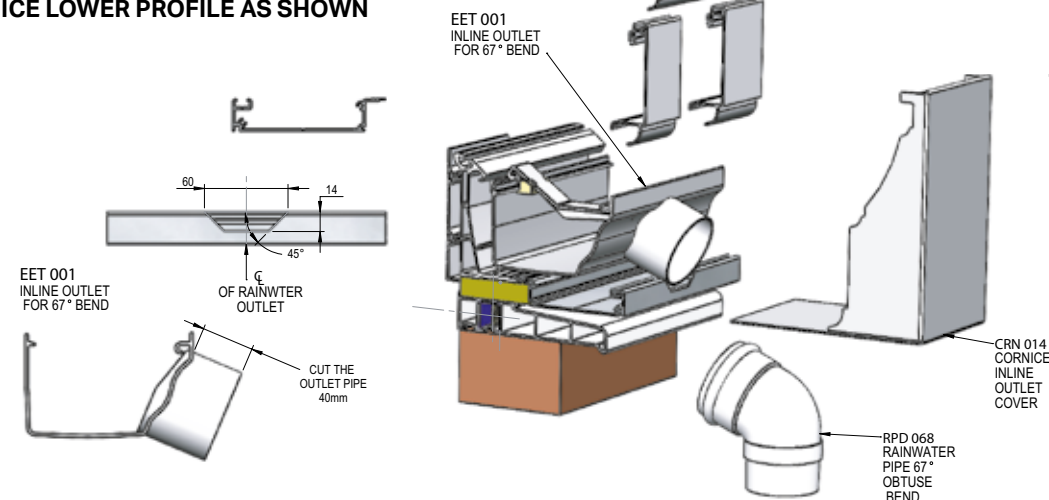
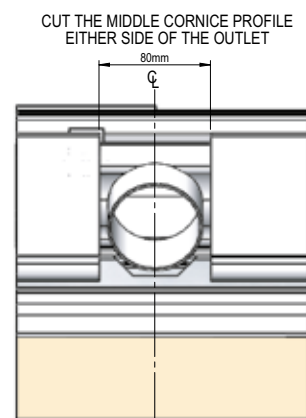
5a
CORNICE & FLY THROUGH GUTTER DETAIL - Used when the gutter extends beyond the Cornice. Take the end plate (CRN003) and cut to the shape of the gutter that projects beyond the Cornice.



5b
Typical finished detail.

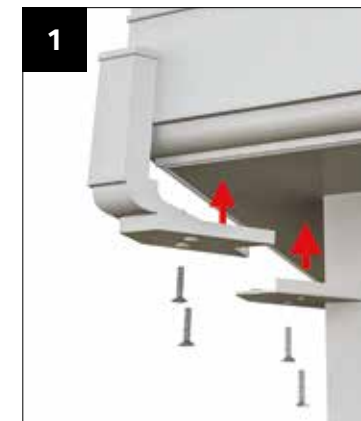
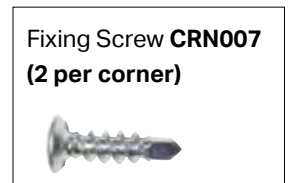
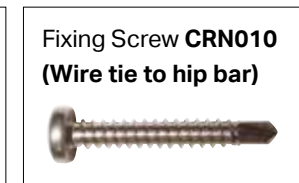
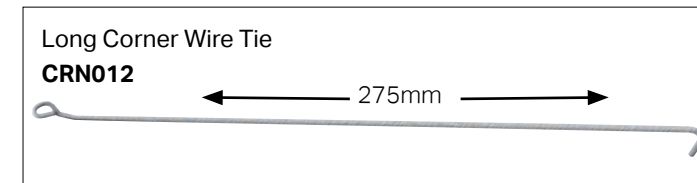
CORNICE INSTALLATION - INLINE OUTLET COVER

IT IS IMPORTANT TO CONSIDER THE OUTLET POSITION PRIOR TO FITTING THE CORNICE. WHEN THE OUTLET POSITION HAS BEEN DECIDED NOTCH THE CORNICE LOWER PROFILE AS SHOWN

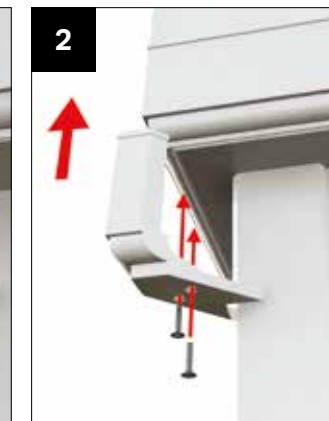


1 TIER CORNICE INSTALLATION - CORNER SECTIONS

Please note that it is not compulsory to fit the corners. If a crisp sharp mitre is required the corners need not be fitted, provided due care has been taken during installation. If on the other hand the 'look' of the cast corner is preferred follow the instructions above for each relevant corner. Corners will only be supplied for the 90° external corners.



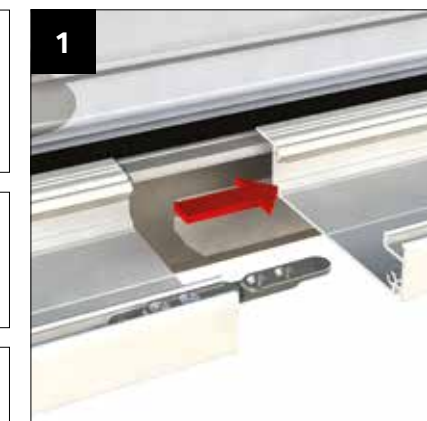
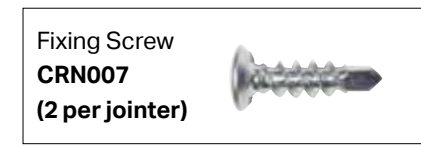
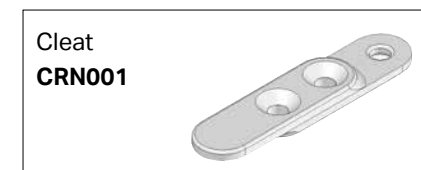
1
NO COLUMNS
Whilst ensuring that the corner remains located in position, screw fix using self drilling screws CRN007. Screw the LANC002 into place using drilling screws LANCF001.



2
WITH COLUMNS
- LPCS090 (only) or LPCL090
Whilst ensuring that the corner remains located in position, screw fix using self drilling screws CRN007.



1 TIER CORNICE INSTALLATION - INLINE JOINTER SECTIONS

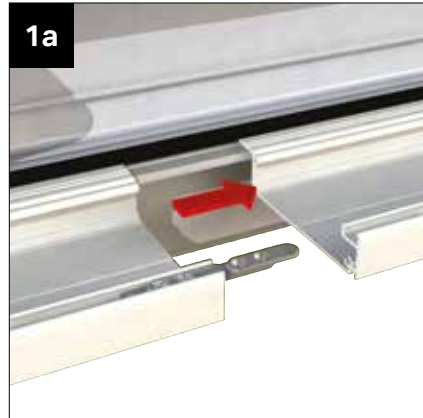


1
Attach the cleat CRN001 using 2 x CRN006 provided, on each side of the joint. Repeat for each of the Cornice 'layers'.

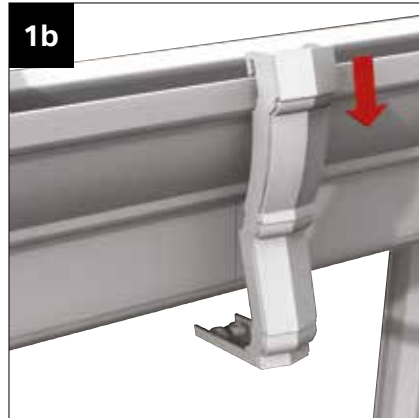


2
Whilst ensuring that the corner remains located in position, screw fix using self drilling screws CRN007

1 TIER CORNICE INSTALLATION - ADDITIONAL DETAILS



GUTTER RETURN DETAIL - If the gutter returns along the host wall (shown below) complete steps A and B after step 4 of the main installation. Ensure the treated timber baton (49mm x 20mm) is level, then fix into position.



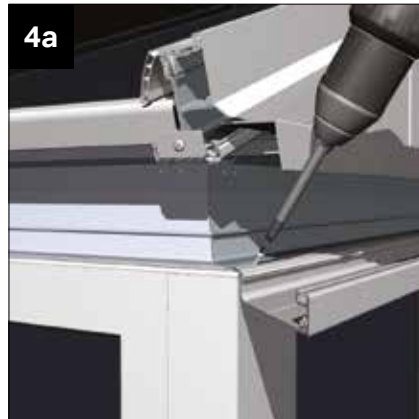
Secure lower section using fixings provided (CRN007)



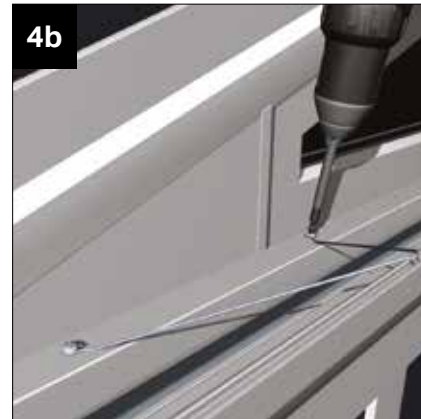
GUTTER STOP END DETAIL - Used with lean-to roofs, gable roofs or when the gutter returns along the host wall. Secure the end plate into position using the fixings provided (CRN008).



CORNICE BOXGUTTER DETAIL - For situations other than that shown, Cornice should be prepped by you on site to suit the wall condition you find.



CORNICE & GABLE EAVES BEAM DETAIL - Used on lean-to styles with raked frames or duo-pitch gables that use the gable support beam. Fix lower section as shown - continue with the remainder.



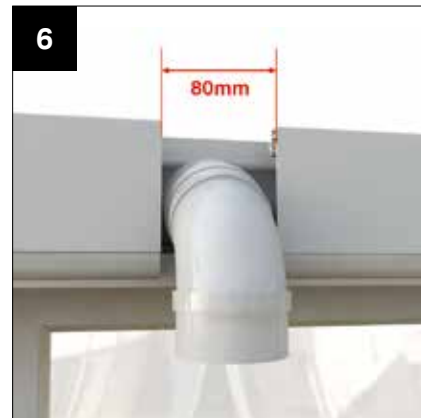
Fix wire ties at an angle as shown, ensure the Cornice is parallel to the frames/roof line.



CORNICE & FLY THROUGH GUTTER DETAIL - Used when the gutter extends beyond the Cornice. Take the end plate and cut to the shape of the gutter that projects beyond the Cornice.

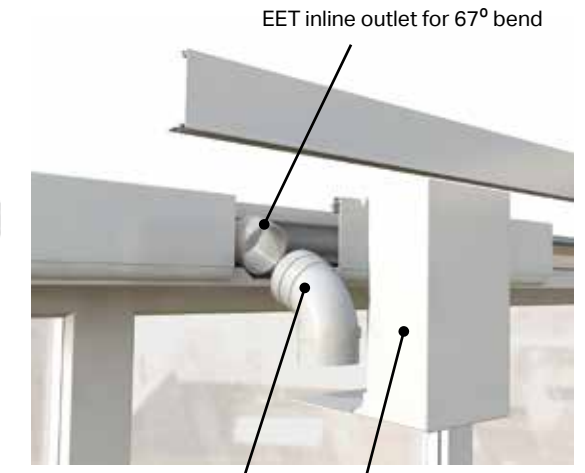
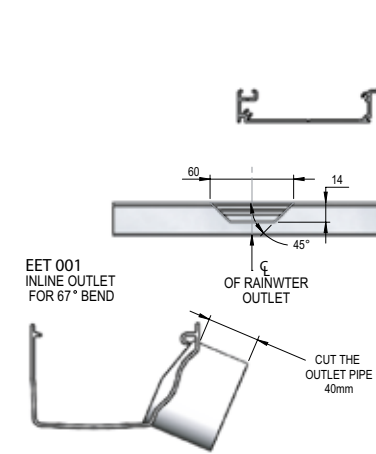
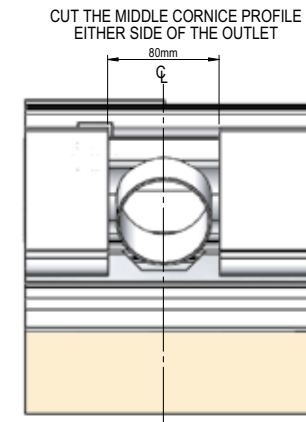


End plate post cutting.



1 TIER CORNICE INSTALLATION - INLINE OUTLET COVER

IT IS IMPORTANT TO CONSIDER THE OUTLET POSITION PRIOR TO FITTING THE CORNICE. WHEN THE OUTLET POSITION HAS BEEN DECIDED NOTCH THE CORNICE LOWER PROFILE AS SHOWN



RDP068 diameter pipe 67° obtuse end

LPCP002 1 Tier inline outlet cover

2 TIER CORNICE INSTALLATION - TOP SECTION

Ensure the eaves beam, glazing bars, ridge/wallplate are already installed



1
Temporarily support and fit the upper Cornice section, using the fixings provided (CRN007).



2
Secure the upper Cornice section using the wire ties at each glazing bar. Hook the wire tie into the pre-drilled hole in the upper Cornice section and screw fix into the glazing bar, ensuring the upper section remains parallel to the frames/roof line.

2 TIER CORNICE INSTALLATION - CORNER SECTIONS

Please note that it is not compulsory to fit the corners. If a crisp sharp mitre is required the corners need not be fitted, provided due care has been taken during installation. If on the other hand the 'look' of the cast corner is preferred follow the instructions above for each relevant corner. Corners will only be supplied for the 90° external corners.

90° Corner
No columns **LPCS090 & LANC002**
Small columns **LPCS090**
Large columns **LPCL090**

Long Corner Wire Tie
CRN012

Fixing Screw
CRN010 (Wire tie to hip bar)

Fixing Screw
CRN007 (2 per corner)

LANCF001 (2 per LANC002)

90° corner top
LANCS090

1a

NO COLUMNS
Whilst ensuring that the corner remains located in position, screw fix using self drilling screws CRN007. Screw the LANC002 into place using drilling screws LANCF001.

1b

WITH COLUMNS - LPCS090 (only) or LPCL090
Whilst ensuring that the corner remains located in position, screw fix using self drilling screws CRN007.

2 TIER CORNICE INSTALLATION - CORNER SECTIONS



2
Slide down LANC090 so bracket cleats slot into top section.

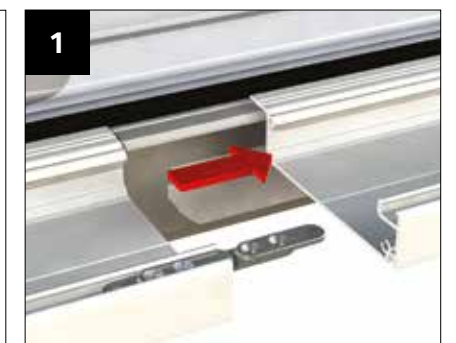


3
Whilst ensuring the corner remains in position, screw fix using CRN007.



4
Finally, fix the tie wire using CRN010 screws, to secure the corner.

2 TIER CORNICE INSTALLATION - INLINE JOINTER SECTIONS



1
Attach the cleat CRN001 using 2 x CRN006 provided, on each side of the joint. Repeat as per image.

<p>Cleat CRN001</p>	<p>Fixing Screw CRN007 (2 per jointer)</p>	<p>Cleat Fixing Screw CRN006 (2 per jointer)</p>	<p>Cornice Straight Jointer LPCC001</p>	<p>Cornice Straight Jointer LANCS001</p>
--------------------------------	---	---	--	---



2
Whilst ensuring that the corner remains located in position, screw fix using self drilling screws CRN007

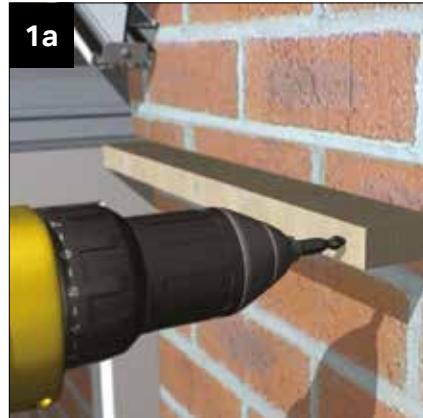


3
Slide the bracket into place ensuring bracket cleats slot into the top Cornice section.



4
Whilst ensuring the corner remains in position, screw fix using CRN007

2 TIER CORNICE INSTALLATION - ADDITIONAL DETAILS



1a
GUTTER RETURN DETAIL - If the gutter returns along the host wall (shown below) complete steps A and B after step 4 of the main installation. Ensure the treated timber baton (49mm x 20mm) is level, then fix into position.



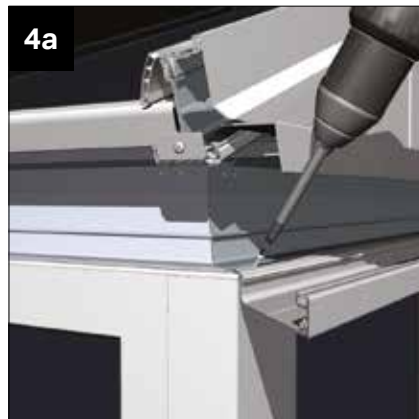
1b
Secure lower section using fixings provided (CRN007).



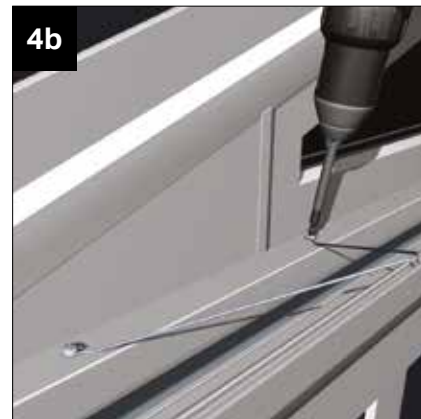
2
GUTTER STOP END DETAIL - Used with lean-to roofs, gable roofs or when the gutter returns along the host wall. Secure the end plate into position using the fixings provided (CRN008).



3
CORNICE BOXGUTTER DETAIL - For situations other than that shown, Cornice should be prepped by you on site to suit the wall condition you find.



4a
CORNICE & GABLE EAVES BEAM DETAIL - Used on lean-to styles with raked frames or duo-ptich gables that use the gable support beam. Fix lower section as shown - continue with the remainder.



4b
Fix wire ties at an angle as shown, ensure the Cornice is parallel to the frames/roof line.



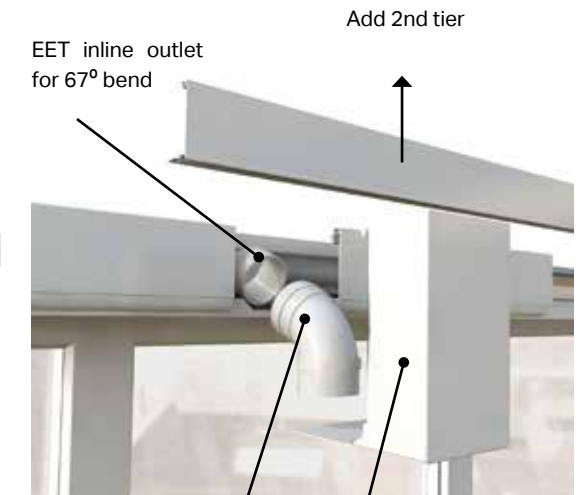
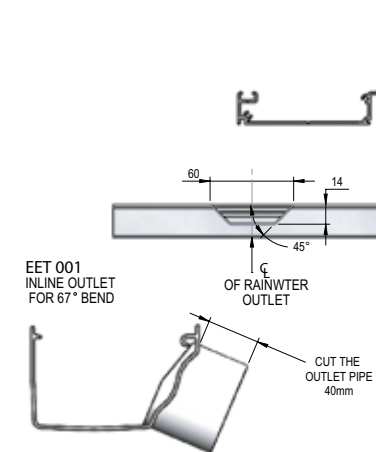
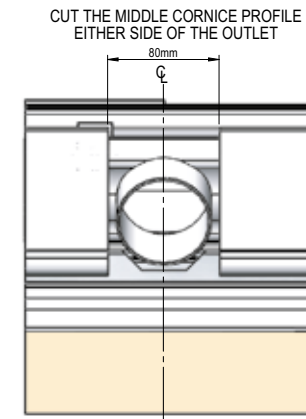
5
CORNICE & FLY THROUGH GUTTER DETAIL - Used when the gutter extends beyond the Cornice. Take the end plate and cut to the shape of the gutter that projects beyond the Cornice.



End plate post cutting.

2 TIER CORNICE INSTALLATION - INLINE OUTLET COVER

IT IS IMPORTANT TO CONSIDER THE OUTLET POSITION PRIOR TO FITTING THE CORNICE. WHEN THE OUTLET POSITION HAS BEEN DECIDED NOTCH THE CORNICE LOWER PROFILE AS SHOWN



RDP068 diameter pipe 67° obtuse end

LANCS014 2 Tier inline outlet cover

3 TIER CORNICE INSTALLATION - TOP SECTION



1 Temporarily support and fit the first upper Cornice section, using the fixings provided (CRN007).

2 Secure the corners using the cleat (CRN001) and fixings (CRN006).

3 Secure the upper Cornice section using the wire ties at each glazing bar. Hook the wire tie into the pre-drilled hole in the upper Cornice section and screw fix into the glazing bar, ensuring the upper section remains parallel to the frames/roof line.

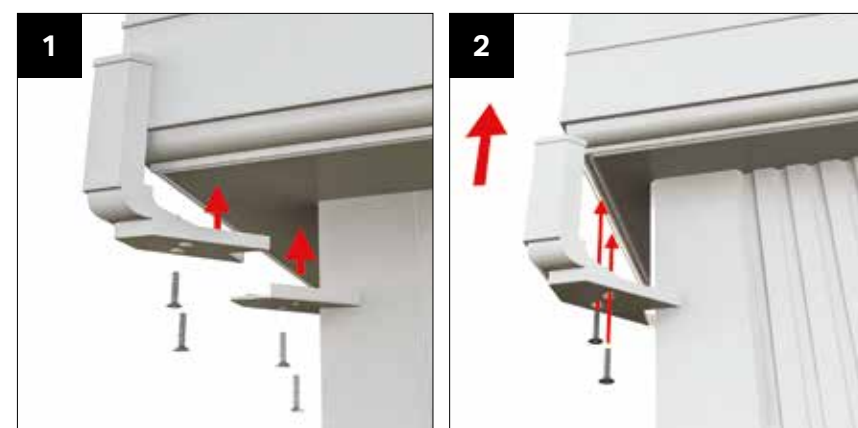
REPEAT STEP 1 FOR THE FINAL CORNICE SECTION (NO CLEAT'S REQUIRED).

3 TIER CORNICE INSTALLATION - CORNER SECTIONS

Please note that it is not compulsory to fit the corners. If a crisp sharp mitre is required the corners need not be fitted, provided due care has been taken during installation. If on the other hand the 'look' of the cast corner is preferred follow the instructions above for each relevant corner. Corners will only be supplied for the 90° external corners.

<p>90° Corner top LANCL090</p>	<p>Long Corner Wire Tie CRN012</p>	
<p>Fixing Screw CRN010 (Wire tie to hip bar)</p>	<p>Fixing Screw CRN007 (2 per corner)</p>	<p>LANCF001 (2 per LANC002)</p>

90° Corner bottom
No columns **LPCS090 & LANC002**
Small columns **LPCS090**
Large columns **LPCL090**



NO COLUMNS
Whilst ensuring that the corner remains located in position, screw fix using self drilling screws CRN007. Screw the LANC002 into place using drilling screws LANCF001.

WITH COLUMNS
- **LPCS090 (only) or LPCL090**
Whilst ensuring that the corner remains located in position, screw fix using self drilling screws CRN007.

3 TIER CORNICE INSTALLATION - CORNER SECTIONS



3 Slide down LANCL090 so bracket cleats slot into top section.

4 Whilst ensuring the corner remains in position, screw fix using CRN007.

5 Finally, fix the tie wire using CRN010 screws, to secure the corner.

3 TIER CORNICE INSTALLATION - INLINE JOINTER SECTIONS

		<p>1</p>
<p>Cleat CRN001</p>	<p>Fixing Screw CRN007 (2 per jointer)</p>	<p>Cleat Fixing Screw CRN006 (2 per jointer)</p>
<p>Cornice Straight Jointer LPCC001</p>	<p>Cornice Straight Jointer LANCL001</p>	<p>Attach the cleat CRN001 using 2 x CRN006 provided, on each side of the joint. Repeat as per image.</p>

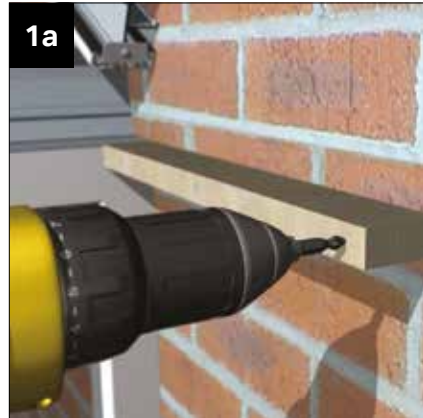


2 Whilst ensuring that the jointer remains located in position, screw fix using self drilling screws CRN007.

3 Slide the bracket into place ensuring bracket cleats slot into the top Cornice section.

4 Whilst ensuring the corner remains in position, screw fix using CRN007.

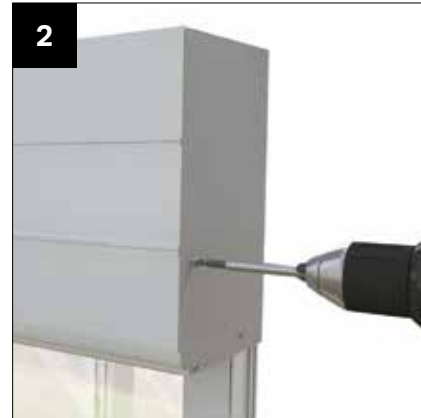
3 TIER CORNICE INSTALLATION - ADDITIONAL DETAILS



1a
GUTTER RETURN DETAIL - If the gutter returns along the host wall (shown below) complete steps A and B after step 4 of the main installation. Ensure the treated timber baton (49mm x 20mm) is level, then fix into position.



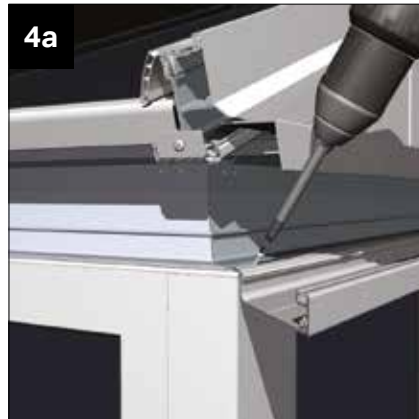
1b
Secure lower section using fixings provided (CRN007).



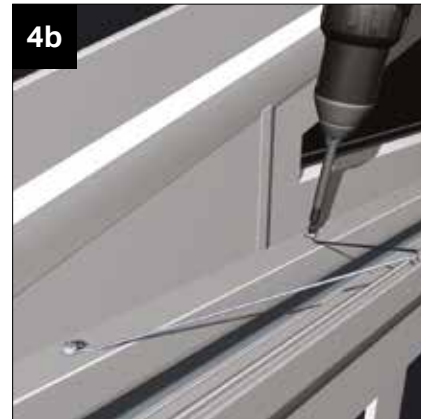
2
GUTTER STOP END DETAIL - Used with lean-to roofs, gable roofs or when the gutter returns along the host wall. Secure the end plate into position using the fixings provided (CRN008).



3
CORNICE BOXGUTTER DETAIL - For situations other than that shown, Cornice should be prepped by you on site to suit the wall condition you find.



4a
CORNICE & GABLE EAVES BEAM DETAIL - Used on lean-to styles with raked frames or duo-pitch gables that use the gable support beam. Fix lower section as shown - continue with the remainder.



4b
Fix wire ties at an angle as shown, ensure the Cornice is parallel to the frames/roof line.



5
CORNICE & FLY THROUGH GUTTER DETAIL - Used when the gutter extends beyond the Cornice. Take the end plate and cut to the shape of the gutter that projects beyond the Cornice.



End plate post cutting.

3 TIER CORNICE INSTALLATION - INLINE OUTLET COVER

IT IS IMPORTANT TO CONSIDER THE OUTLET POSITION PRIOR TO FITTING THE CORNICE. WHEN THE OUTLET POSITION HAS BEEN DECIDED NOTCH THE CORNICE LOWER PROFILE AS SHOWN

CORNICE DRILL PREP

www.ultraframetrade.co.uk

Job No.: 3469 03/21 V7 CRNI001

It is Ultraframe's policy to continually seek to improve its products, processes and services, and we reserve the right to change specifications without prior notice. Ultraframe is a trading name of Ultraframe (UK) Limited.

Ultraframe[®]

