

# Ultraframe<sup>®</sup>

Transforming light and space



## *Veranda*

Installation Guide

Dec 2020 | V3

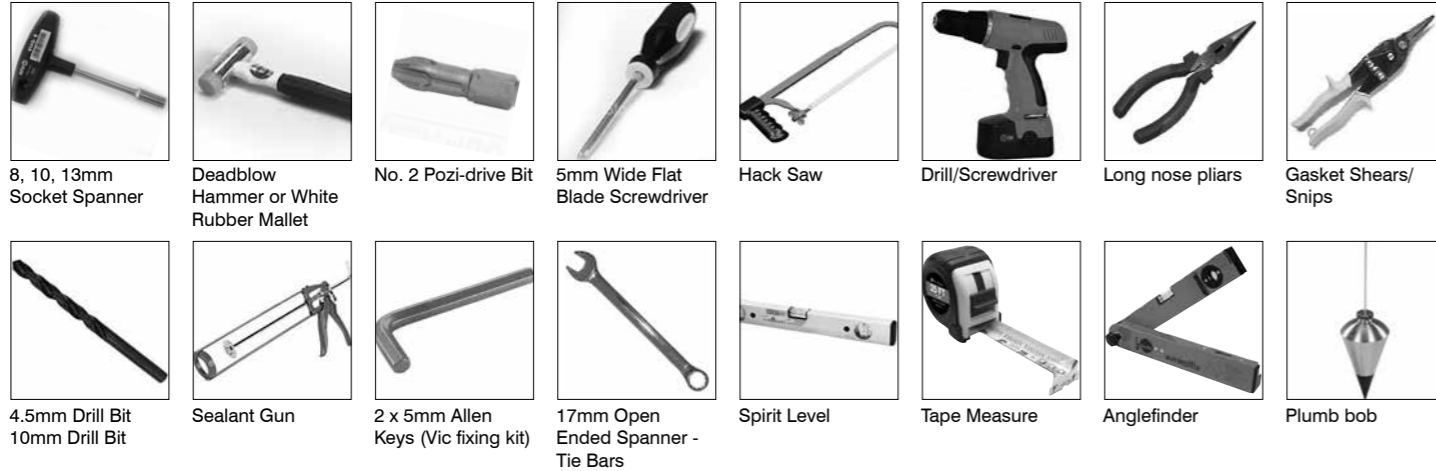
**Thank you for choosing the Ultraframe Classic system.  
This guide is designed to make fitting as straightforward as possible.**

Before you commence installation of the roof, please;

- 1) Take a moment to read these two introductory pages before reading the rest of this guide.
- 2) Do not fix the frames down at this stage – only temporarily ‘pin’ the frames to the house wall (one fixing each side) to allow the conservatory to ‘float’

Ultraframe is rightly proud of its Classic roof. Over 1½ million have been successfully installed over a 25 year period. We have continued to invest to improve the features that the homeowner will appreciate and that should make your life easier. Any feedback - positive or negative - is welcomed so we can make our systems even better.

Please contact the Tech Support Team on 0843 208 6953 or email [techsupport@ultraframe.co.uk](mailto:techsupport@ultraframe.co.uk)



Eaves to frame fixings, host wall fixings and ridge top cap flashing trim screw not supplied.

**General points**

Care should be taken when handling components that are seen by the homeowner, as surfaces may be scratched if not handled with care. Choose a suitable area for unpacking the components and always check them before fitting. Any claims for missing or damaged parts are only accepted in line with our standard terms and conditions of sale.

**Health & safety**

Site safety is paramount. The Construction (Design & Management) Regulations 2015 apply to the whole construction process, on all construction projects from concept through to completion. Compliance is required to ensure construction projects are carried out in a way that secures health and safety. The installation company shall be responsible for the safety of all of the fitting team, the customer and members of the public.

The Surveyor should have carried out a risk assessment to reduce risk on site and this should have been discussed with you prior to starting.

Please use safe working platforms and ladders that comply with BS EN 131. Always use equipment in line with manufacturers recommendations. Personal Protective Equipment – such as goggles, mask and ear defenders – should be used when, for example, grinding out for the flashing.

Careful consideration should be given to the safe disposal of all packaging – Ultraframe packaging is predominantly made from recycled materials and can be readily recycled.

**Product**

The roof kit is supplied with a location plan, a quality control check list for the box in which this guide arrives and, of course, this installation guide. The location plan is used to match individual components to their respective position on the roof. Our numbering convention always starts at the top left, against the house wall as you look from outside the conservatory back at the host wall.

The majority of aluminium and PVCu components contain identification codes, usually by inkjetting or labelling – should you need to re-order a part this should help. Please ask for a copy of our Classic product guide to keep in the van, which will give you further assistance with future identification – please call 01200 452367 to request a copy.

**Sealing**

It is important to use the correct sealant when sealing the roof.  
1. For roofs glazed with Polycarbonate (or standard sealed units) a low modulus neutral cure brand of silicone must be used  
2. For roofs glazed with Conservaglass or other true ‘self cleaning’ glass, then MS Polymer sealant such as Rotabond 2000 must be used.

**Sealed Units**

All protective handling tape must be removed prior to installation. For the correct selection of sealant please see above

**The Superstructure**

Check the Dwarf wall or Plinth for being level all round. Ensure that all frames which abut the host wall are vertically plumb, which will then allow perfect alignment with our Classic eavesbeam. Before starting to install the roof, please check the condition of the host wall and whether it’s plumb – depending upon what you find, these conditions can seriously affect the final integrity of the roof, particularly when a Tie Bar Replacement Kit (TBRK) is fitted.

**Technical Support**

Tel: 01200 452 918  
Email: [techsupport@ultraframe.co.uk](mailto:techsupport@ultraframe.co.uk)

**PRODUCT IDENTIFICATION**



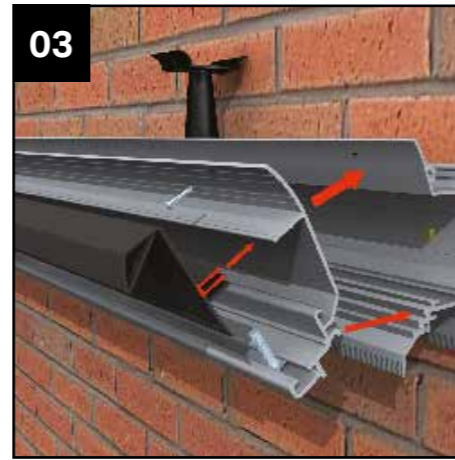
## INSTALLATION (solid walls to each side)



01 Your Veranda construction should look like this prior to roof installation.



02 Separate the two parts of the aluminium half ridge body. Offer up the main half ridge body which fits between the two side walls. To set the height of the wall plate use the paperwork supplied. Attach to the host wall using anchor bolts at 500mm centres.



03 Next attach the baffle support – its position should be obvious from the fixing holes (for the self tapping screws) drilled during factory assembly.



04 Now clip on the wallplate PVCu top cap, mark out for the flashing and grind out.



05 Take the Super Duty Eaves Beam and attach the aluminium fascia using screws - protect the painted/foiled surfaces.



06 Next attach the Super Duty Eaves Beam to the head rail of the bi-fold doors. Lift the glazing bars into position and drop over the twin bolts in the captivated bolt slot at eaves and wallplate.



07 Complete the installation of the glass support clips (the clips fit higher than normal).

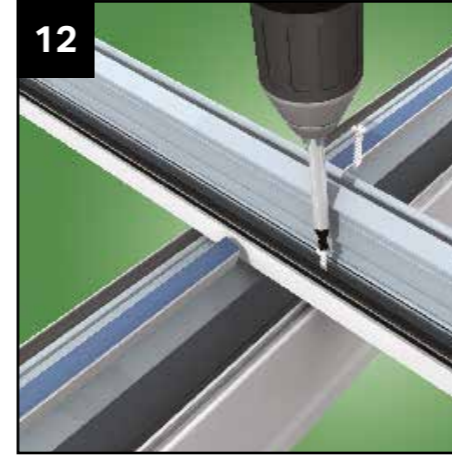


08 Offer up the Veranda beam and secure the roofing bolts with nuts and use the self tapping screws to fasten the leading edge of the veranda beam into the head of the aluminium glazing bars using CRN010 fixings.

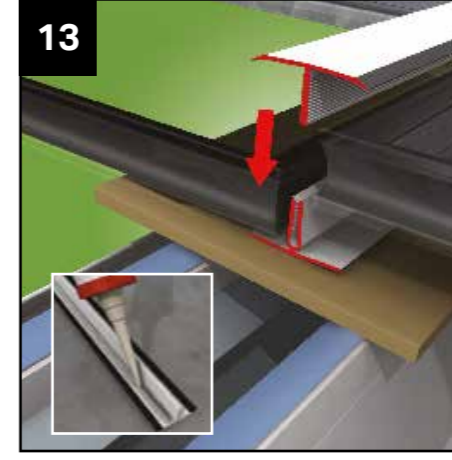


09 Ensure the starter bars are secured to the host walls at each side.

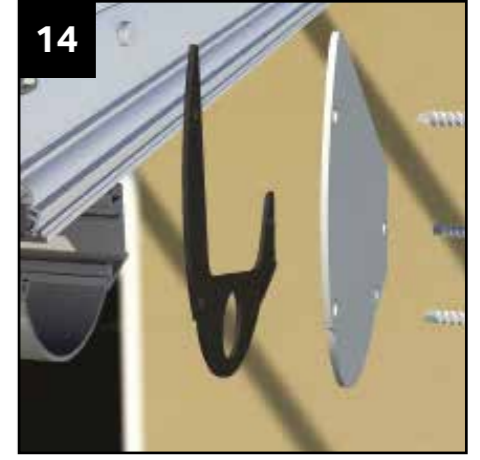
## INSTALLATION (solid walls to each side)



12 The glazing bars now need to be fastened to the aluminium fascia at the front edge of the Super Duty Eaves Beam (use UZSB003/1 fixings). Ensure the aluminium fascia is plumb. Glaze the roof.



13 Fitters tip - do not pull off the adhesive top protection until the muntin installation is complete. A flat rigid sheet material should be used to support the lower muntin section whilst installing the upper section.



14 Fit the profiled rubber gasket and end plate to the curved beam using 4 x M8 button head hex screws (AVBA014) provided. Repeat on the opposite side.



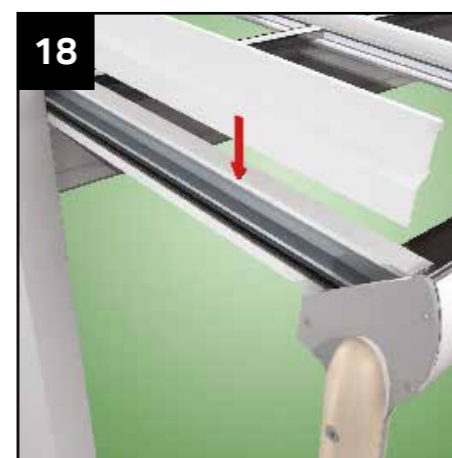
15 Complete the installation of the cappings.



16 Ensure pitch is correct and structure is square. Fill holes around posts with appropriate concrete mix.



17 If required, cut supplied rainwater downpipe to length and attach downpipe shoe. NOTE: A footplate is sent out as standard.



18 Complete the installation of the cloaking trim.



19 Complete the installation of the internal T sections.

NOTE: A footplate is sent out as standard.

[www.ultraframetrade.co.uk](http://www.ultraframetrade.co.uk)

**Job No.: 3082 10/20 V1**

It is Ultraframe's policy to continually seek to improve its products, processes and services, and we reserve the right to change specifications without prior notice. Ultraframe is a trading name of Ultraframe (UK) Limited.



**Ultra**frame<sup>®</sup>  
Transforming light and space