
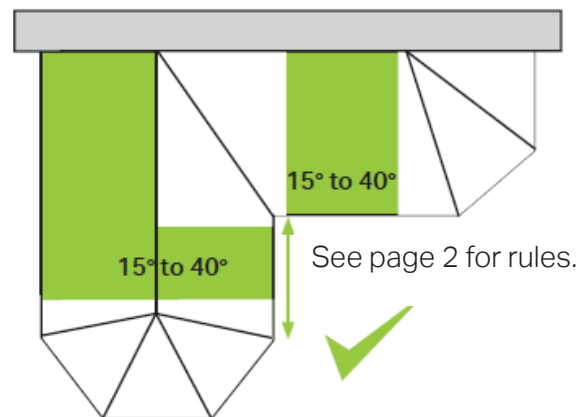
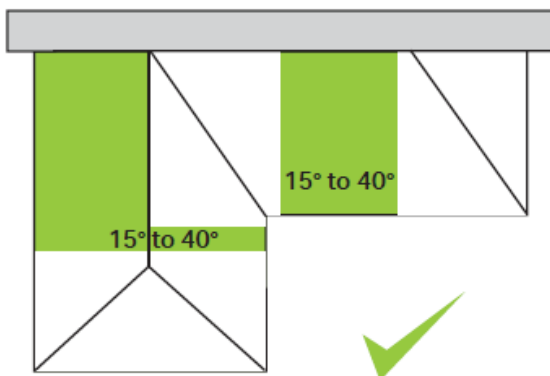
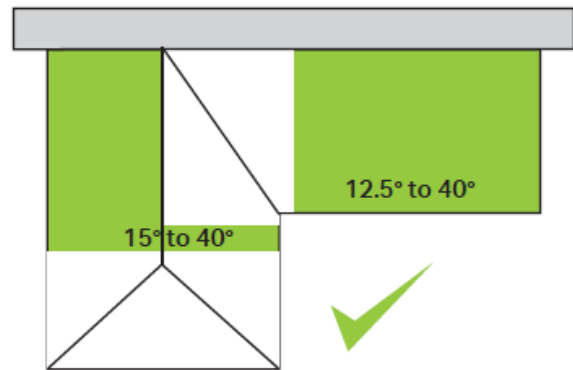
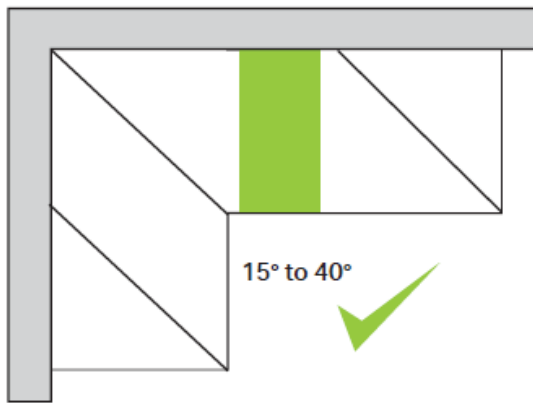


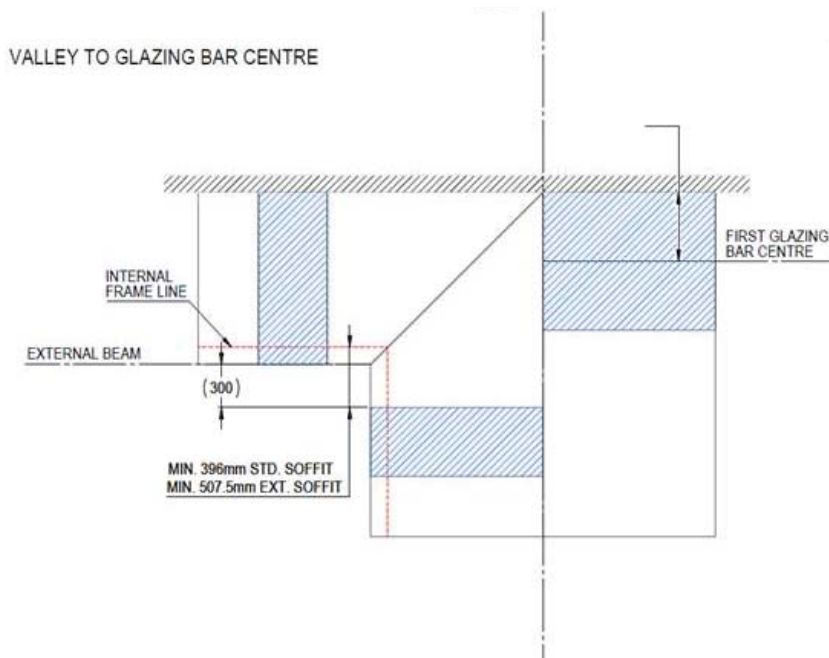
# VALLEY CONFIGURATION

For roofs incorporating valley gutters the standard pitch rules apply. There is no limit on the pitch variation over valleys. Glazing should start no closer than 396mm to the valley and 250mm from the finial point.

 GLAZING PANELS PERMITTED  GLAZING NOT PERMITTED  WALL



Minimum distance from valley to first glazing bar centre 396mm (standard soffit) and 507.5mm (Extended soffit) from internal frame line.

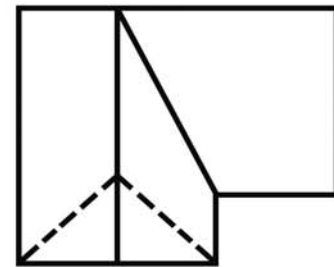
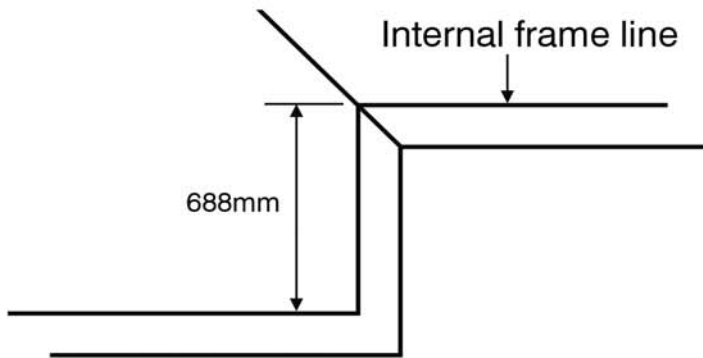


For pricing and delivery information please contact your Ultraframe Area Manager.

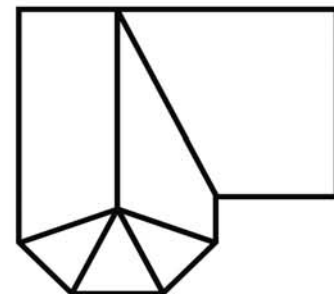
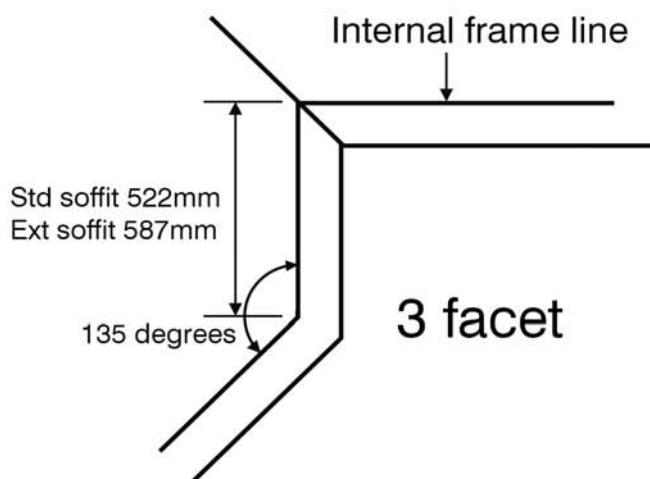
# VALLEY CONFIGURATION

Minimum internal 'point to point' frame sizes

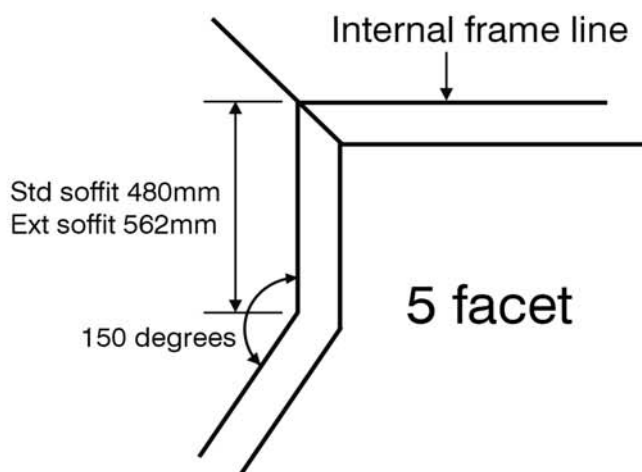
Note: deduct corner post for frame size



Georgian/ Gable



Victorian



Ext soffit