

Chambered Box Gutter

Version 9 | July 2018

This leaflet covers the specification and installation of the chambered structural box gutter. This product gives greater unsupported spans - see chart below. Please discuss your exact support needs/project with the Technical Support Team prior to ordering.

Please contact the Tech Support Team on 01200 452918 or email techsupport@ultraframe.co.uk

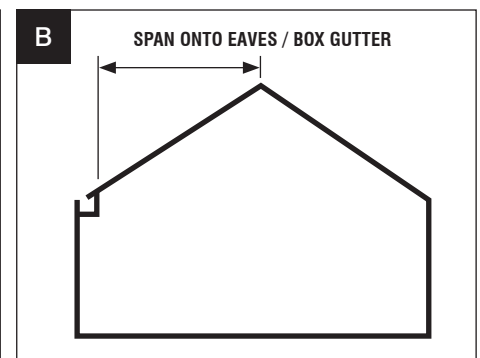
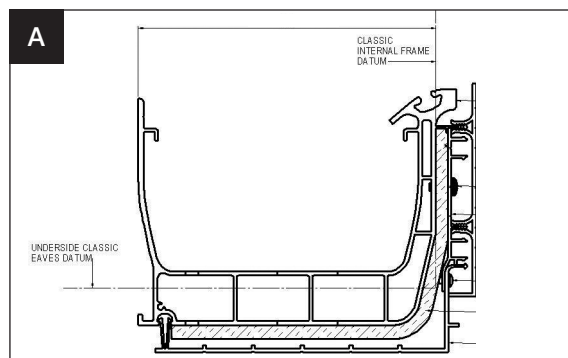


IMPORTANT!

1. Due to its greater height, a minimum 30mm frame add on is required when jointing to the standard eaves beam (illustrated above).
2. Add on is NOT required if the taller structural/super duty eaves beam is specified.
3. If the roof being fitted has internal insulated pelmet and the chambered structural box gutter is used, a 60mm add on is necessary if pelmeted framework is required to run under box gutter.
4. If the roof has a tie bar installed or a joint within the box gutter then the box gutter MUST BE SUPPORTED directly underneath.

Chambered box gutter spans for 4-16-4 glass roofs with 0.6kN imposed load (Please ask if load is greater than 0.6)

Span onto eaves/box gutter (B)	1	1.25	1.5	1.75	2	2.25	2.5	2.75	3	3.25	3.5	3.75	4	4.25	4.5	4.75	5	5.25	5.5	5.75	6
Box gutter span	4.85	4.59	4.38	4.22	4.08	3.96	3.86	3.77	3.69	3.61	3.55	3.49	3.43	3.38	3.33	3.29	3.24	3.2	3.17	3.13	3.1



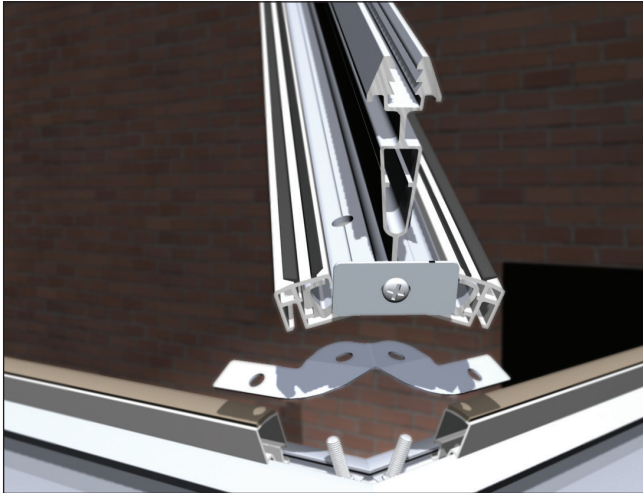
Jointing Rules

- 1 NO LINEAR LENGTH TO EXCEED 6M
- 2 NO 'L' SHAPED BOX GUTTER TO EXCEED 2M ON ONE LEG IF THE OTHER EXCEEDS 2M
- 3 NO LEG TO BE LESS THAN 500mm INTERNAL LENGTH IF IT IS TO BE JOINTED TO ANOTHER LENGTH
- 4 NO MORE THAN 1 ANGLE PER BOX GUTTER SECTION
- 5 NUMBER OF SECTIONS TO BE MINIMISED WHERE POSSIBLE

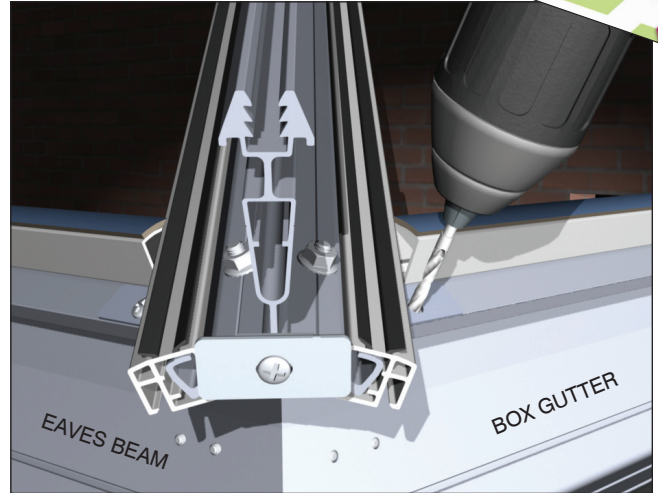
Additional installation steps (Not covered in the main Classic Installation guide supplied with the roof)



1. BUTTERFLY CLEATS WILL STRENGTHEN THE EAVES BOX GUTTER JOINT

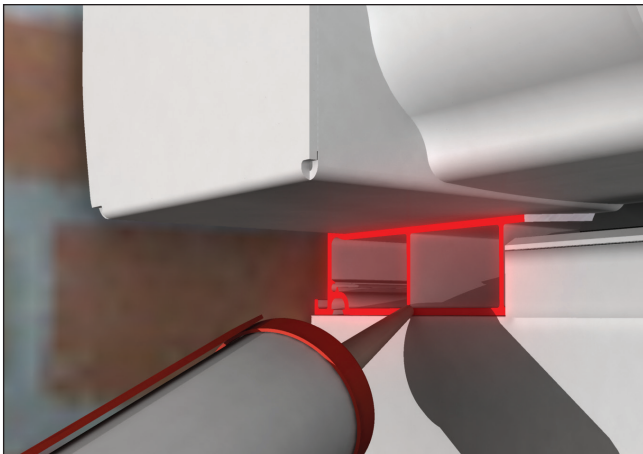


Lay the butterfly cleat over the two captivated roofing bolts, one in the eaves beam and one in the box gutter. Lift on the Georgian hip bar at the eaves and attach to ridge end.

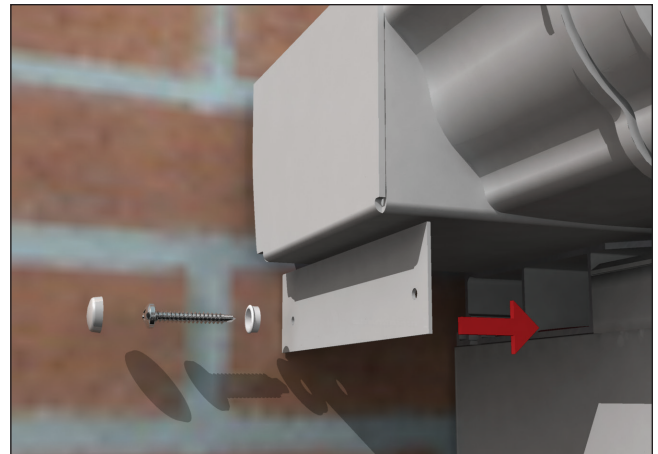


Drill a 5.5mm hole and then fix the 'butterfly' cleat into the head of the eaves beam and box gutter at the 90 degree corners using the fixing provided.

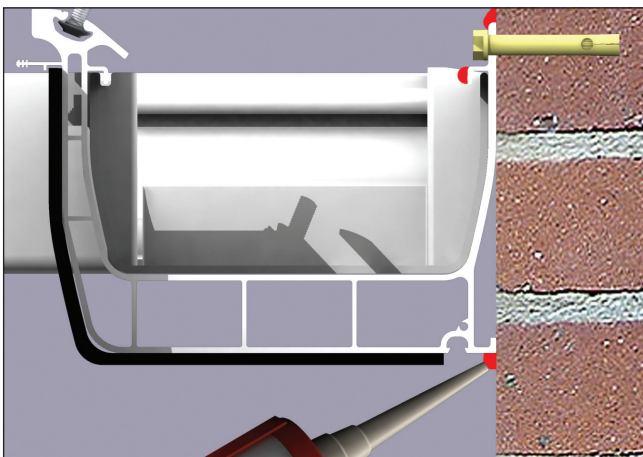
2. SEALING AND FINISHING



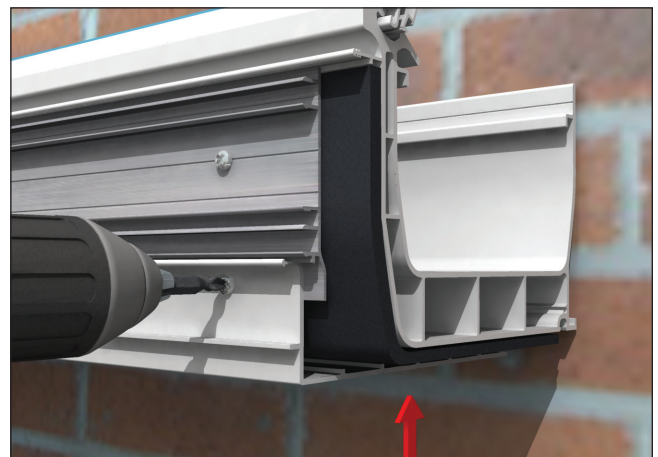
Apply silicone to end face of box gutter and point underneath adaptor back to the undergutter trim.



Fix end cap to boxgutter using screw and cap cover supplied.



Seal the top and bottom edges of the box gutter where it abuts the house wall.



First clip boxgutter undercladding into channel against wall. Rock the cladding up until leg touches aluminium carrier using screws CRN009 provided.

If you need assistance with the specification or installation of this product, please contact the Tech Support Team on 01200 452918 or email techsupport@ultraframe.co.uk