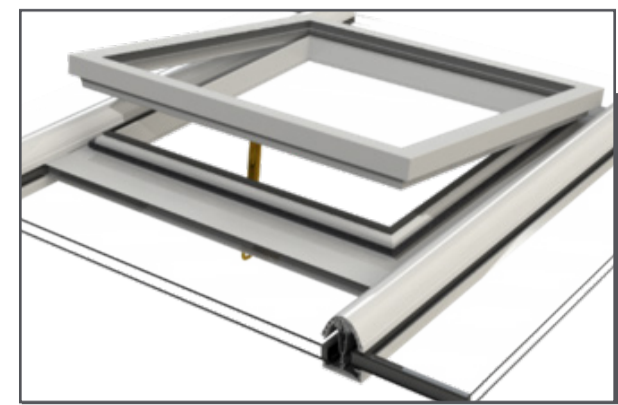


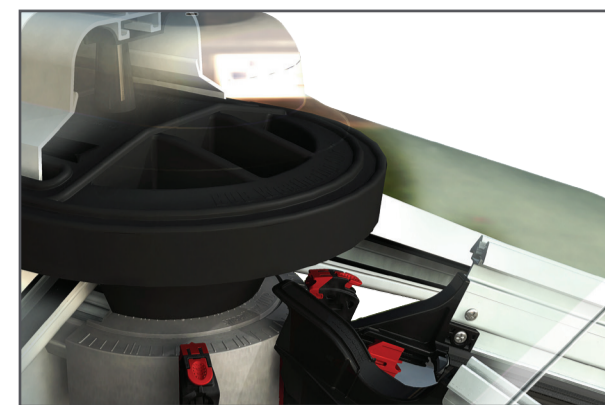
Glassroof

By Ultraframe



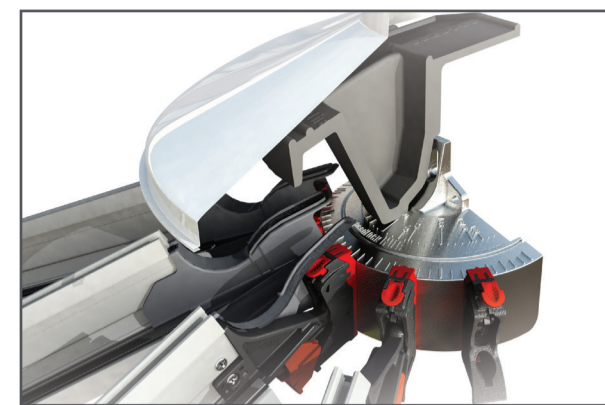
Roof vent

Slimline aluminium roof vent



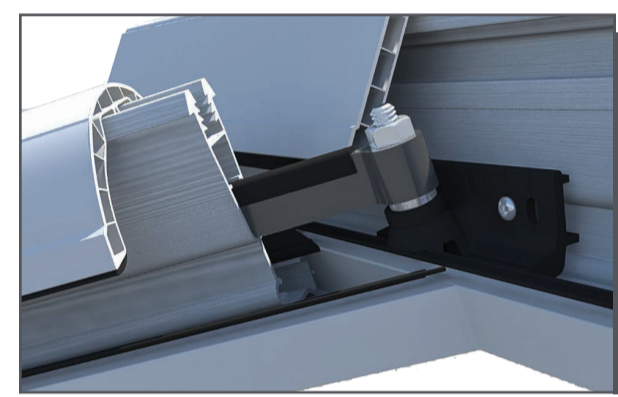
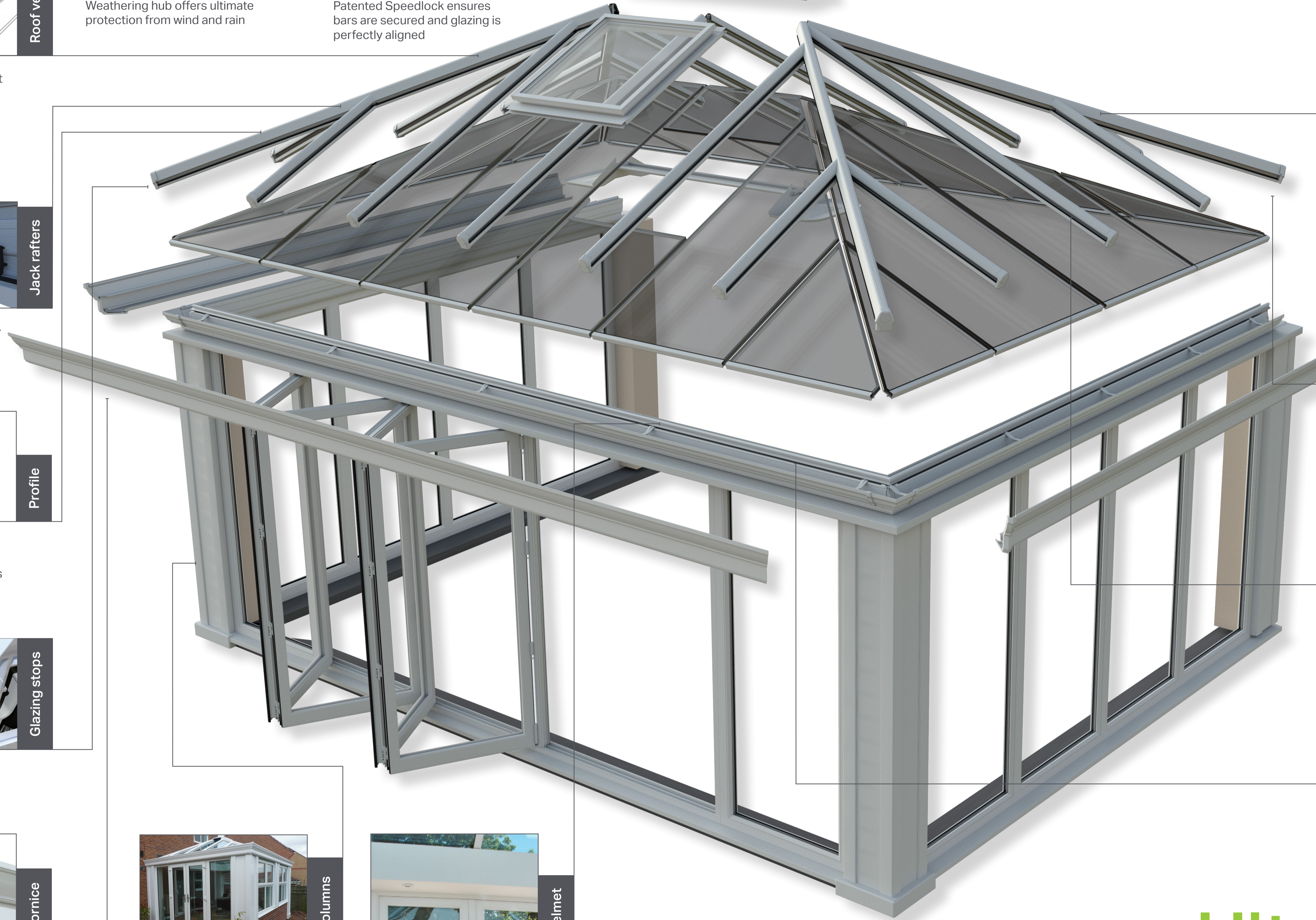
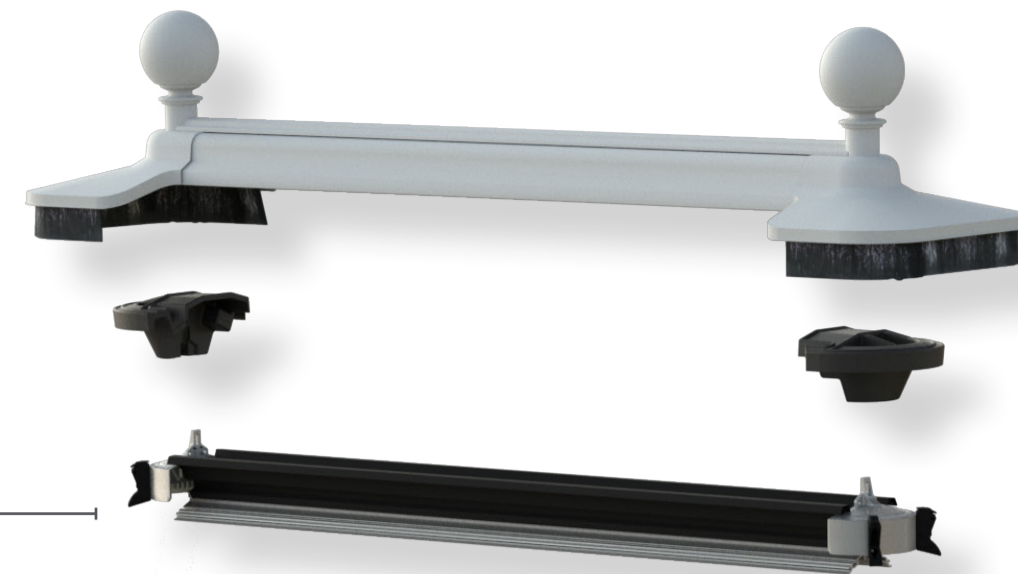
Hub

Weathering hub offers ultimate protection from wind and rain



Speedlock

Patented Speedlock ensures bars are secured and glazing is perfectly aligned



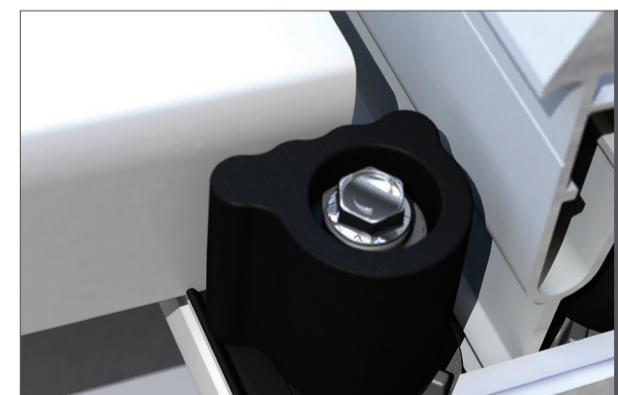
Jack rafters

Wind resistant jack rafters - tested in 120mph winds



Profile

Strong 'wineglass' bars engineered to withstand extreme weather conditions for your postcode



Glazing stops

Robust glazing supports prevent glass slippage



Cornice

Optional cornice hides gutters and adds shape to the roofline. 4 designs available



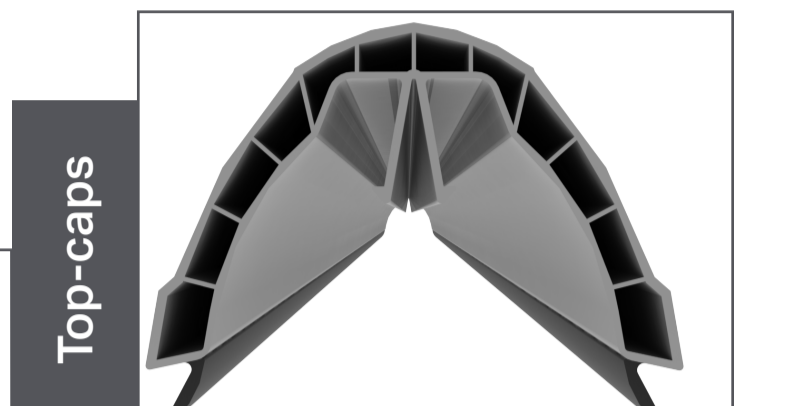
Columns

Optional super-insulated columns



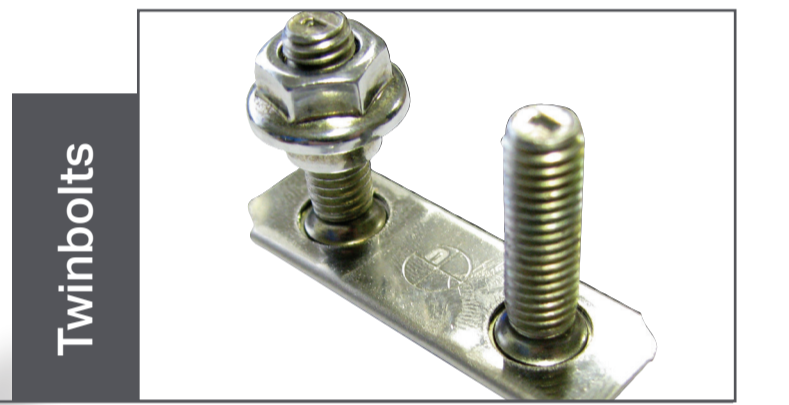
Pelmet

Optional internal pelmet insulates the eaves - a useful place for spotlights or speakers



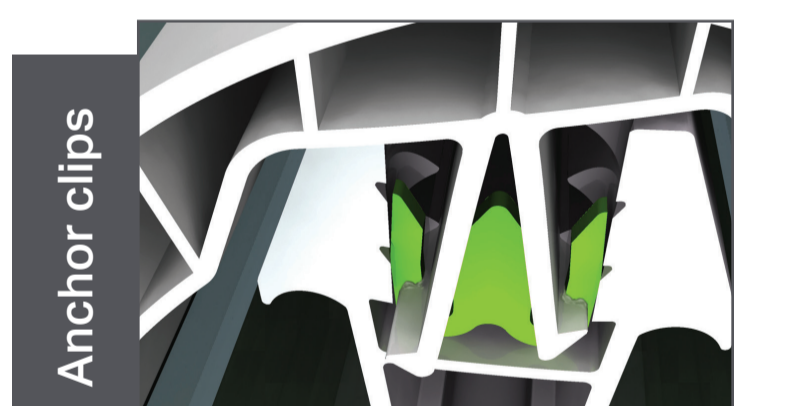
Top-caps

Chambered top-caps provide maximum security and thermal efficiency. Available in any RAL colour



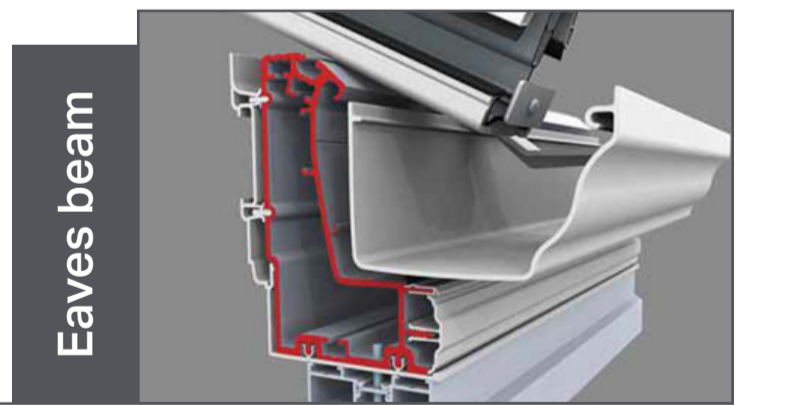
Twinbolts

Twinbolts deliver super-strong structural joints



Anchor clips

Anchor clips control natural movement for a weathertight seal



Eaves beam

Optional super duty eaves beam for larger spans



BBA Approved conservatory roof system

Ultraframe[®]

Transforming light and space