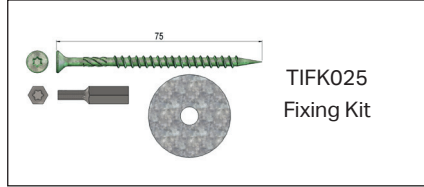


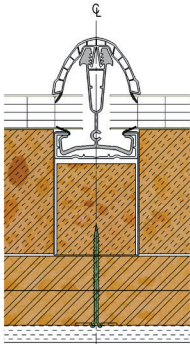
# Livinroof Thermal Improvements

## Additional Parts Supplied.

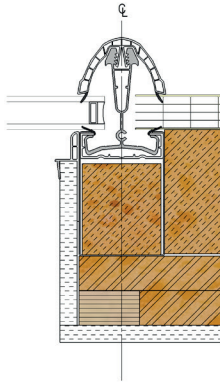


## Transoms Cross Section

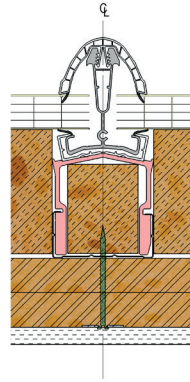
TRANSOM SOLID/SOLID TRANSITION



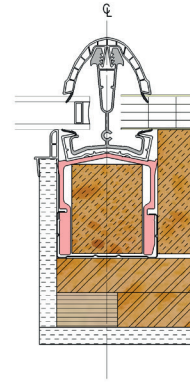
TRANSOM SOLID/GLAZED TRANSITION



TIE BAR SOLID/SOLID TRANSITION

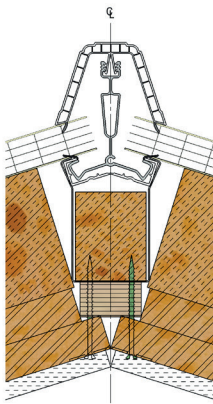


TIE BAR SOLID/GLAZED TRANSITION

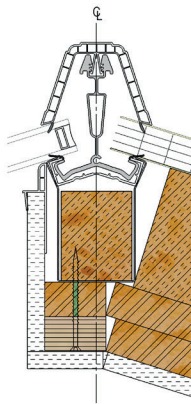


## Hips Cross Section

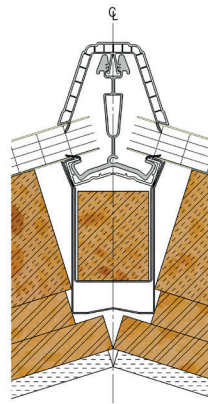
HIP SOLID/SOLID TRANSITION



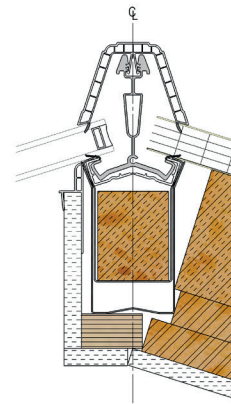
HIP SOLID/GLAZED TRANSITION



HIP SUPER BOLSTER SOLID/SOLID TRANSITION

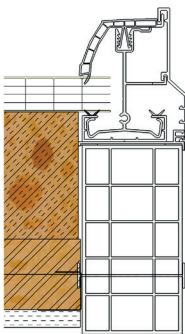


HIP SUPER BOLSTER SOLID/GLAZED TRANSITION

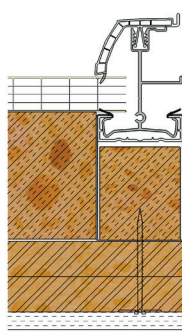


## Starter / Gable Cross Section

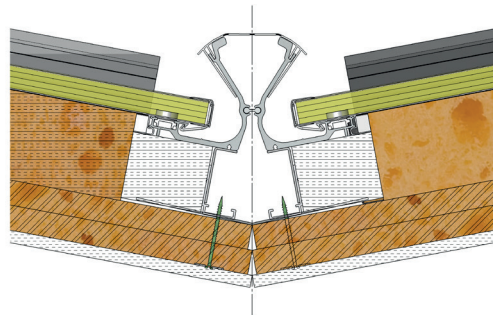
GABLE



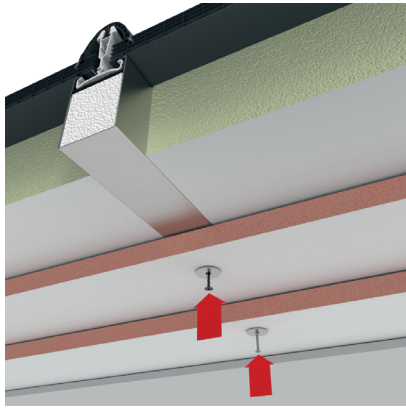
STARTER



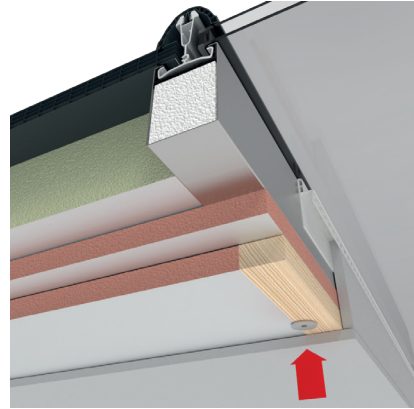
## Valley Cross Section



Transom Solid / Solid

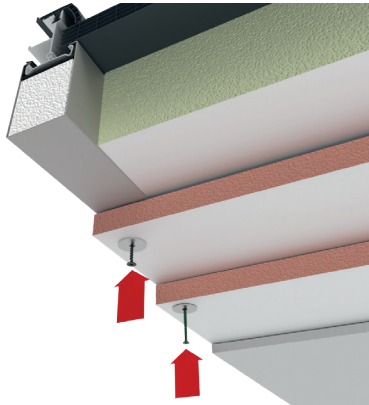


Transom Solid / Glazed

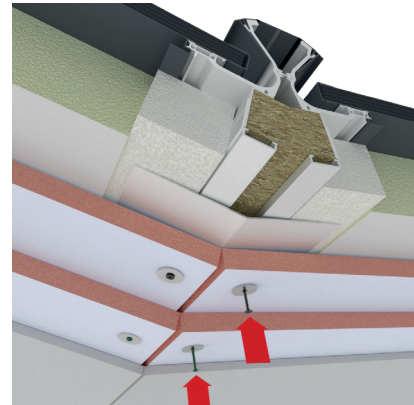


Secure the first layer of 25mm insulation using the LVIK025 fixing kit. If solid / glazed, fix LVBG240 timber batten to the underside of the first layer of insulation. Apply the second layer of 25mm insulation beneath the first and secure with the provided TIFK025 fixing kit.\*

Starter

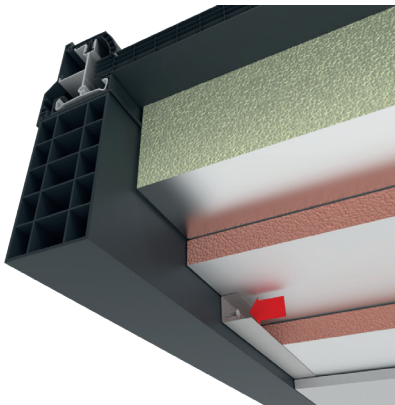


Valley

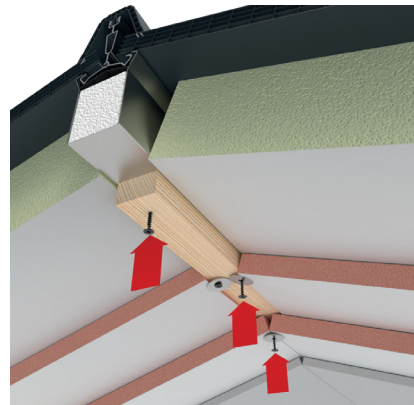


Secure the first layer of 25mm insulation using the LVIK025 fixing kit. Apply the second layer of 25mm insulation beneath the first and secure with the provided TIFK025 fixing kit.\*

Transom Solid / Solid Gable



Standard Hip



Secure the first layer of 25mm insulation using the LVIK025 fixing kit. Screw CHA405/1 steel C channel to the side of the chambered box on the underside of the first layer of insulation. Apply the second layer of 25mm insulation beneath the first pushed into the C channel and secure with the provided TIFK025 fixing kit.\*

Fix provided 25mm x 44mm timber batten LVBG240 to the centre of the hip bar box section (1). Secure the first layer of 25mm insulation up against the fitted timber batten using the LVIK025 fixing kit. Apply the second layer of 25mm insulation beneath the first, overlapping the timber batten and secure with the provided TIFK025 fixing kit.\*

\*Ensure that all lower insulation joints are taped with foil sealing tape LVFT045.

Please contact the Tech Support Team on 01200 452918 or email [techsupport@ultraframe.co.uk](mailto:techsupport@ultraframe.co.uk)

For everything you need to know including guides and installation videos visit <https://bit.ly/ultraframe-downloads> or scan the QR Code



**Living**roof<sup>®</sup>  
By Ultraframe