



The Original and Most Loved Glazed Roof

Conservatories | Orangeries

Glassroof[®]
By Ultraframe

The Original and Most Loved Glazed Roof

- ▶ Made in Britain for over 35 years
- ▶ Engineered by Ultraframe the conservatory experts
- ▶ Over 1.5million roofs installed
- ▶ The first ever conservatory roofing system to be BBA approved
- ▶ Certificate of Authenticity with every roof
- ▶ Long standing history of technological innovation
- ▶ The UK's favourite conservatory roofing system



Strong, secure glazing bars

Classic's unique glazing bars provide superior strength, security

1. A patented 'teeth' anchor mechanism ensures the top-cap fits tightly and can never be prised off
2. Concealed externally facing weatherproof gaskets hold glass securely in place
3. Thermoplastic Elastomer gaskets provide extra weatherproofing and grip
4. Patented, high strength chambered top caps improve thermal performance and security
5. 'Wine glass' shaped aluminium provides torsional rigidity to help your roof to withstand extreme wind and snow loads



Packed with Quality Components

Why settle for single bolt when you can have a twin bolt?

- ▶ Stainless steel twin-bolt anchors the transom bars onto the ridge and eaves at
- ▶ Four fixing points on every bar onto the ridge, wall plate and eaves beam - two positive fixings at the top and two at the bottom
- ▶ Classic has twice as many fixings as alternative systems
- ▶ Twin bolt slot within the eaves beam runs in the opposite direction to roof load to eliminate any risk of glazing bar slippage
- ▶ Spigot nut centres the bolts to ensure an effective structural joint is formed
- ▶ No risk of glazing slippage for maximum security and peace of mind



Packed with Quality Components

Robust, adjustable, glazing security clips

Glass is heavy and panels can be large and should be held securely in place to prevent slippage and leaks. Ultraframe's unique glazing security clips are automatically specified with every Classic roof to eliminate any chance of the glass slipping

- ▶ Much stronger, larger and robust vs competitor clips
- ▶ Lock glass into position
- ▶ Maintains water tight seals
- ▶ Locks end caps into position to prevent them falling into the gutter
- ▶ Adjustable for a snug fit every time

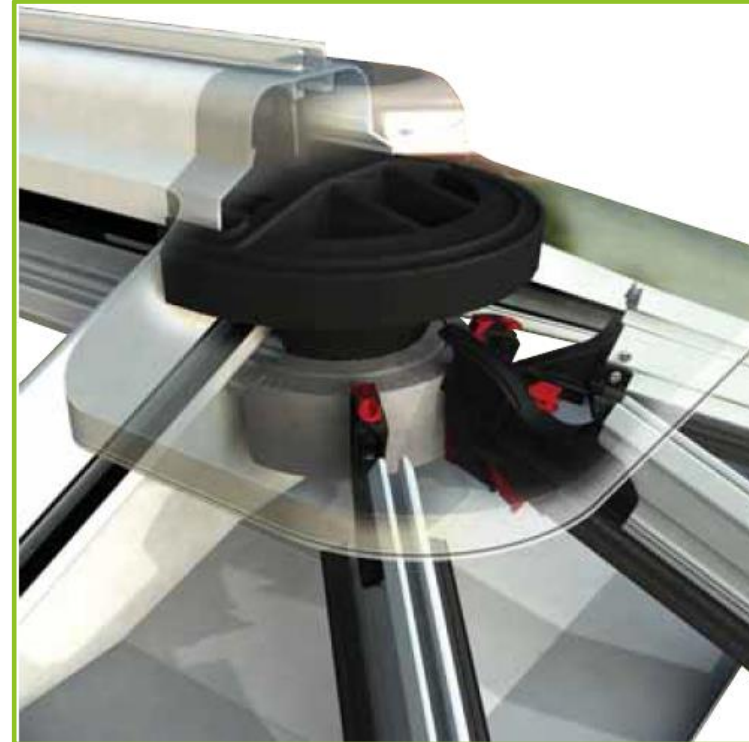


Patented Speedlock and Weathering Hub

A perfect fit, first time, every time

The speed lock at the ridge ends accommodates complex variations in roof pitch and ensures the roof is protected from extreme weather

- ▶ This clever click-fit system makes one of the most complex elements of a roof easy to install
- ▶ The Speedlock pin points the exact location of the bars delivering consistent fixing points to guarantee roof quality and performance
- ▶ The adjustable attachment system ensure every glazing bar is perfectly seated on level glazing planes with maximum contact with the rubber weather seals
- ▶ The Classic weathering hub does not rely on silicone (which can degrade over time) like other roofing systems
- ▶ A robust rubber section within the weathering hub blocks any water ingress



Alternative Slimline Ridge

Modern Contemporary Design

Far less bulky than traditional conservatory ridges

- ▶ Extremely neat ridge end covers for better sightlines
- ▶ Triple layer storm shield at ridge ends
- ▶ High performance thermal break to prevent condensation
- ▶ Aluminium external finish
- ▶ Only available on 25° pitch roofs



Internal Insulated Pelmet

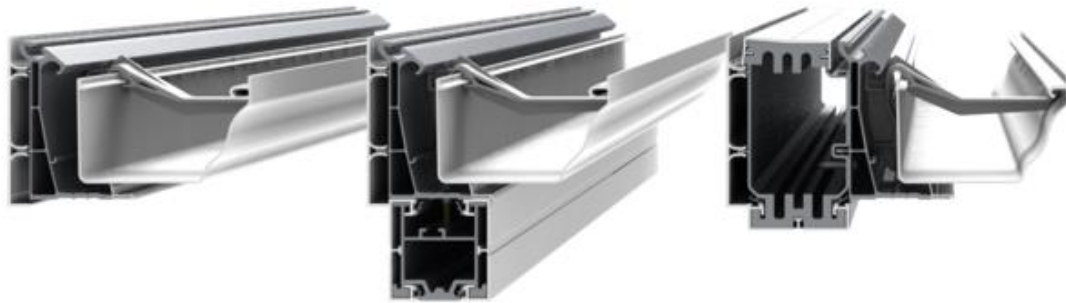
Create a room like feel

The optional pelmet with Classic roof creates an orangery or living room

- ▶ Plastered to create a room like design
- ▶ Adds cosiness and warmth where you need it
- ▶ A practical place for spotlights or speakers
- ▶ Variable in width to suit the proportions of your room from 300mm to 1200mm



Bolsters and Goalposts for Larger Spans



Standard Eaves Beam

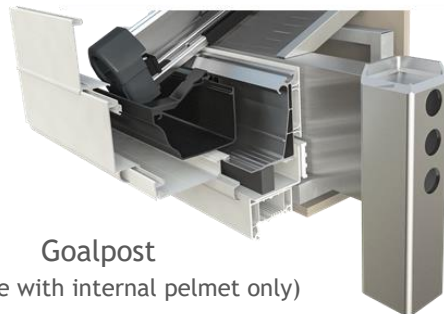
With Bi-fold Support

With Super-Bolster



With Combined Bolsters

Super-Duty Eaves Beam



Goalpost
(available with internal pelmet only)



Super-Insulated Columns

Create a conservatory that's as warm as an extension

Thermally efficient to maximise your views yet maintain a consistent, comfortable temperature

- ▶ 5 times more thermally efficient than a brick pillar
- ▶ Plastered finish creates a cosy, warm room
- ▶ Aluminium finish looks great with bi-fold doors
- ▶ Any colour available to match window frames
- ▶ Available at the house wall, corners and between window frames
- ▶ Optional corner heaters provide a practical way to add heating to your conservatory



Cornice

Add Shape and Style to the roofline

Choose from 4 styles

- ▶ Hides gutters and end cappings
- ▶ Choose a the flat cornice to suit the proportions of your property for a contemporary look
- ▶ Choose curved cornice for an elegant shape
- ▶ Available in any colour to match windows and doors
- ▶ Gutters easily accessible for cleaning



Two Tier Flat Cornice



Three Tier Flat Cornice



Curved Cornice



Single Tier Flat Cornice

Structurally Sound - Always

Peace of mind whatever the weather

Structurally engineered with specialist software to withstand the worst potential wind and snow loads for your postcode

- ▶ Roof structure is engineered to your long postcode to account for variations in wind load
- ▶ The defined load requirement is for extreme (not standard) wind and snow loads – to accommodate increasingly extreme weather
- ▶ Every critical joint on the roof is assessed - ridge, wall joint, hips, bars, jack rafters



Unrivalled choice for a bespoke design

Classic roof is designed to match any windows and doors in any finish

- ▶ Choose from uPVC or Aluminium Top-Cappings
- ▶ Available in any RAL colour
- ▶ We love complicated – Classic roof can be engineered to any shape or size



What makes Glass Roof unique?

High quality, engineered to last

WEATHER TESTED

Watertight in winds up to 130mph

- **Triple layer storm shield** at radius end.
- Unique top caps and **adjustable speedlocks** designed to optimise glazing bar compression.
- Sturdiest, most **durable** gaskets and glazing stops.

EASIEST

The simple and most intuitive to fit

- Click-fit speedlocks and top-caps.
- Loaded with features for a **fast fit, first time**, every time.
- **No cutting or drilling** on site.
- Comprehensive installation guides and videos.

VERSATILE

The most configurable roofing system available

- Low pitch eaves beam and variable ridges for **pitches from 2.5 to 44°**.
- **Advanced software** to instantly validate structural requirements of any large shape and complex designs.
- Integrated structural solutions for **large spans** of bi-folding doors.

TRUSTED

The original and most loved glazed roof

- Over **1.5 millions roofs** installed.
- The first roofing system to be **approved by BBA**.
- **Made in Britain** for over 35 years.

SAFEST

The only roof engineered to postcode

- NASA satellite data used to calculate the maximum wind AND snow load requirements.
- Specialist software engineers every critical element of the roof for optimum deflection, compression and tension.
- **Super strong** eaves beam, ridge, valley and jack rafter.

CUSTOMISABLE

Unbeatable range of design options

- Add shape and elegance externally with a choice of **4 unique Cornices**.
- Create thermally efficient, cosy and stylish rooms with **insulated pelmets and columns**.
- **Bespoke colours** in painted aluminium or foiled.
- **Finishings and crestings** to suit all tastes and budgets.

WEATHER TESTED

Watertight in winds up to 130mph

TRUSTED

The original and most loved glazed roof

EASIEST

The most simple & intuitive to fit roof on the market

SAFEST

The only roof engineered to postcode

VERSATILE

The most configurable roofing system available

CUSTOMISE

Unbeatable range of design options

Glassroof[®]

By Ultraframe