

GUTTER RETURN ACROSS GABLE INSTALLATION



20mm packer req. behind this bracket (not supplied)

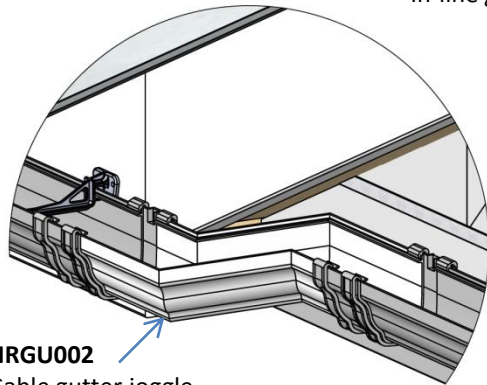
End Prep Required
See below

MEA001
External 90 degree gutter jointer

MJB001
In-line gutter jointer

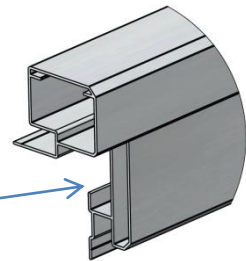
NRGU001
Gable gutter joggle (standard soffit)

MGB002
Face fix gutter brackets



NRGU002
Gable gutter joggle (extended soffit)

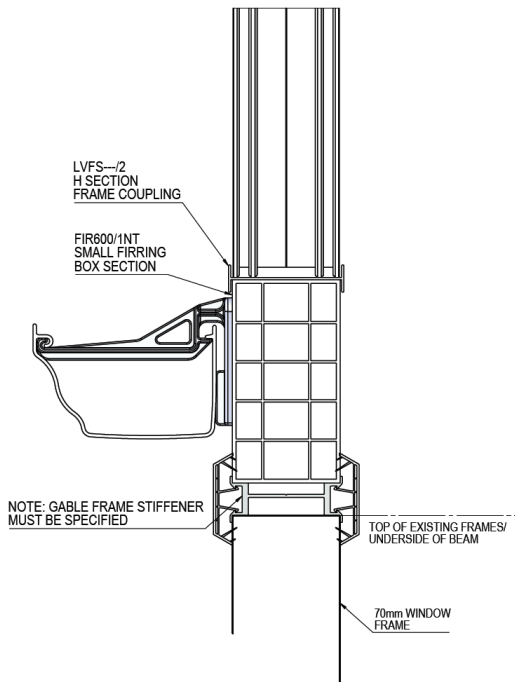
40mm notch
To lower portion of dry verge



If gable frame features glass...

additional components will be supplied to raise the level of the glazing above that of the gutter, and should be installed as shown below.

Default Setout



With Reinforcement Box Setout

